

# WÖRGL

## 3-WAY PRESSURE BALANCED SHOWER TRIM

TM.OR.310.310

### Components Included

---

- **TM.WL.310** - Trim for 3-way pressure balanced valve
- **SH.42.0808** - 8" round shower head
- **WA.42.16** - 16" wall mount shower arm with ½" female NPT connection
- **BH.02.03** - 31" sliding shower bar with hose and 3 function hand shower (HS.02.03)
- **EC.42.01** - Round elbow connector with ½" female NPT connection
- **TS.03.06** - Brass slip-on spout

### Available Finishes

---

- Chrome (CC)
- Matte Black (MB)

(Model Pictured: Chrome)

### Codes / Standards

---

- Uniform Plumbing Code (UPC®)
- ASME A112.18.1/CSA B125.1
- ASSE 1016

### Warranty

---

- Valve & cartridge - Limited lifetime warranty
- Components - Limited lifetime warranty  
(see full warranty for details)



**WÖRGL**  
3-WAY PRESSURE BALANCED TRIM

TM.WL.310

**Description**

- **TM.WL.310** - Trim for 3-way pressure balanced valve
- 4 positions

**Flow Rate**

- 5.7 gpm | 21.5 lpm | 60 psi

**Cartridge**

- CE.1440.PB - cartridge
- CE.1702.DR - diverter

**Available Finishes**

- Chrome (CC)
- Brushed Nickel (BN)
- Matte Black (MB)
- Brushed Gold (BG)

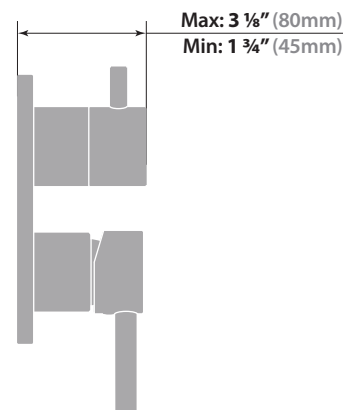
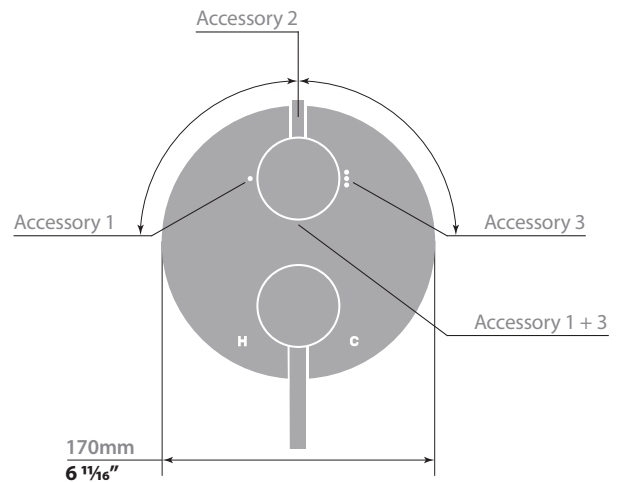
(Model Pictured: Chrome)

**Codes / Standards**

- Uniform Plumbing Code (UPC®)
- ASME A112.18.1/CSA B125.1
- ASSE 1016

**Warranty**

- Limited lifetime warranty  
(see full warranty for details)



### 16" WALL ARM

WA.42.16

#### Description

- 16" wall mount shower arm with 1/2" female NPT connection
- Round pipe with round escutcheon plate

#### Available Finishes

- Chrome (CC)
- Matte Black (MB)
- Brushed Gold (BG)

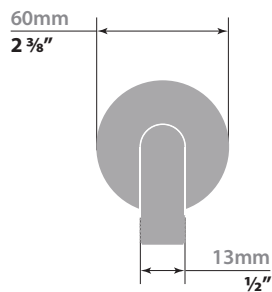
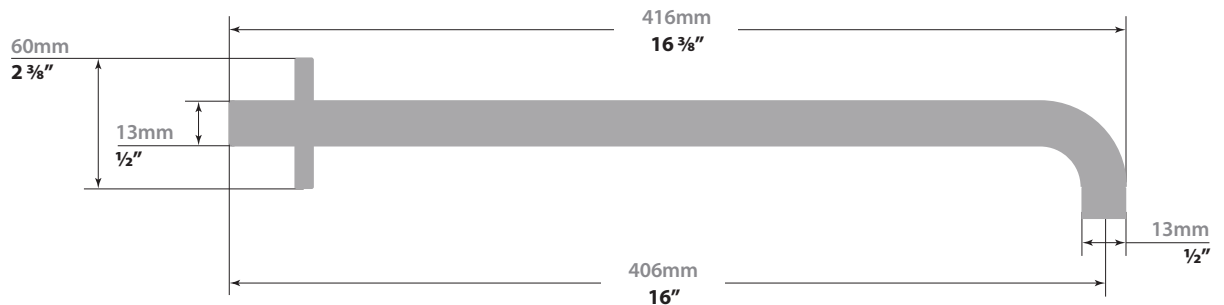
(Model Pictured: Chrome)

#### Codes / Standards

- Uniform Plumbing Code (UPC®)
- ASME A112.18.1/CSA B125.1

#### Warranty

- Limited lifetime warranty



### 8" ROUND SHOWER HEAD

SH.42.0808

#### Description

- 8" round shower head
- Anti-limescale technology

#### Flow Rate

- 2 gpm | 7.6 lpm | 60 psi

#### Available Finishes

- Chrome (CC)
- Matte Black (MB)

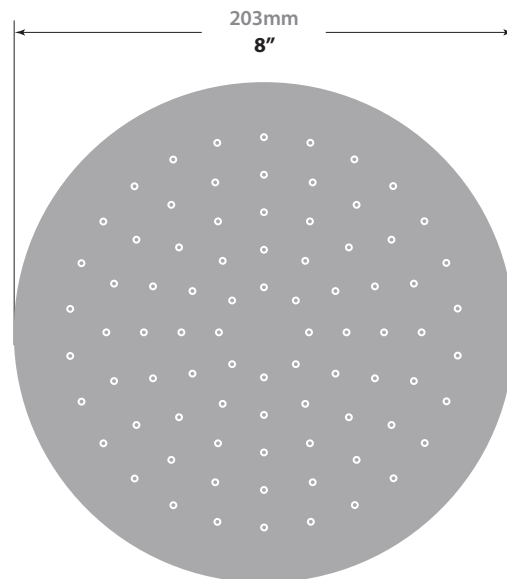
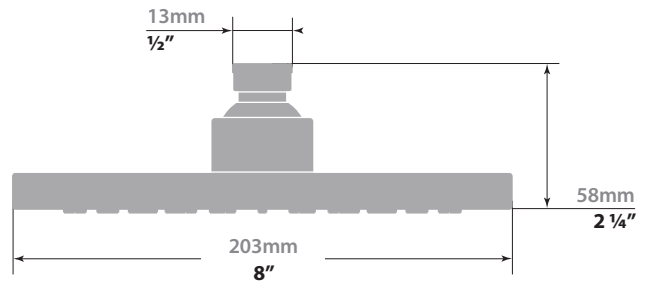
(Model Pictured: Chrome)

#### Codes / Standards

- Uniform Plumbing Code (UPC®)
- ASME A112.18.1/CSA B125.1

#### Warranty

- Limited lifetime warranty  
(see full warranty for details)



# WÖRGL

## SLIDING SHOWER BAR WITH HANDSHOWER

BH.02.03

### Description

- SB.02.31 - 31" sliding shower bar
- HE.150 - 59" hose
- HS.02.03 - 3-function hand shower

### Flow Rate

- 2 gpm | 7.6 lpm | 60 psi

### Available Finishes

- Chrome (CC)
- Brushed Nickel (BN)
- Matte Black (MB)

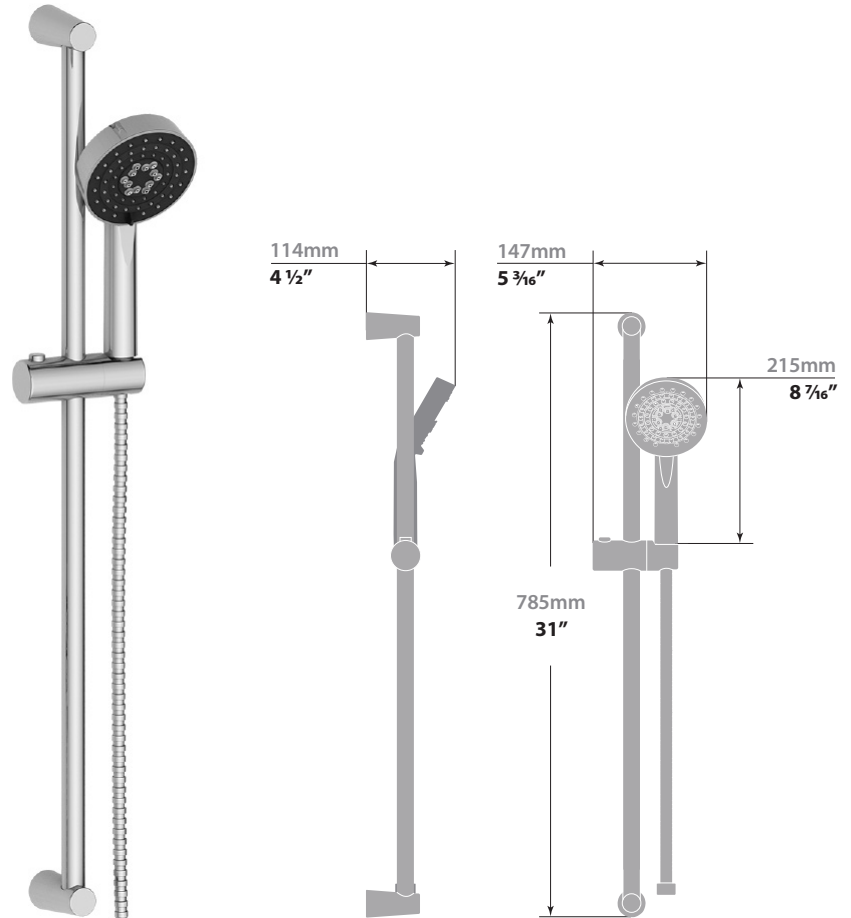
(Model Pictured: Chrome)

### Codes / Standards

- Uniform Plumbing Code (UPC®)
- ASME A112.18.1/CSA B125.1
- ASSE 1016

### Warranty

- Limited lifetime warranty  
(see full warranty for details)



### ROUND WALL SUPPLY ELBOW

EC.42.01

#### Description

- Round elbow connector with ½" female NPT connection

#### Available Finishes

- Chrome (CC)
- Brushed Nickel (BN)
- Matte Black (MB)
- Brushed Gold (BG)

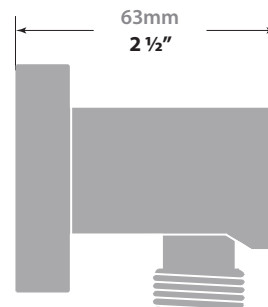
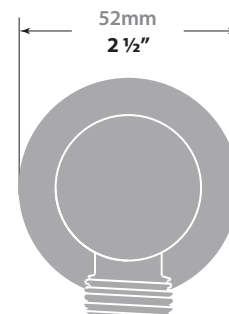
(Model Pictured: Chrome)

#### Codes / Standards

- Uniform Plumbing Code (UPC®)
- ASME A112.18.1/CSA B125.1

#### Warranty

- Limited lifetime warranty (see full warranty for details)



### WÖRGL TUB SPOUT WITHOUT DIVERTER

TS.03.06

#### Description

---

- Brass tub spout with 1/2" slip-on connection

#### Available Finishes

---

- Chrome (CC)
- Brushed Nickel (BN)
- Matte Black (MB)
- Brushed Gold (BG)

(Model Pictured: Chrome)

---

#### Codes / Standards

- Uniform Plumbing Code (UPC®)
  - ASME A112.18.1/CSA B125.1
  - ASSE 1016
- 

#### Warranty

- Limited lifetime warranty  
(see full warranty for details)

