

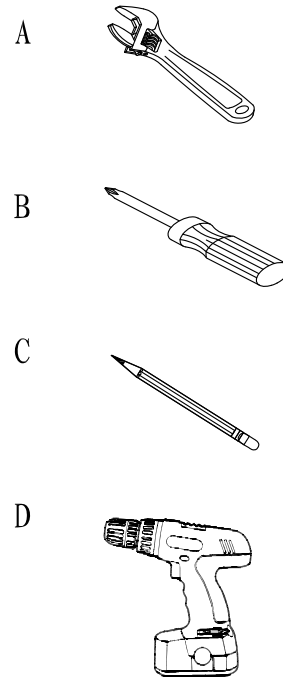
Model Name: WÖRGL  
FREE-STANDING TUB FILLER  
Model No: BF.WL.2100.XX

**vogt**  
VOGTINDUSTRIES.COM

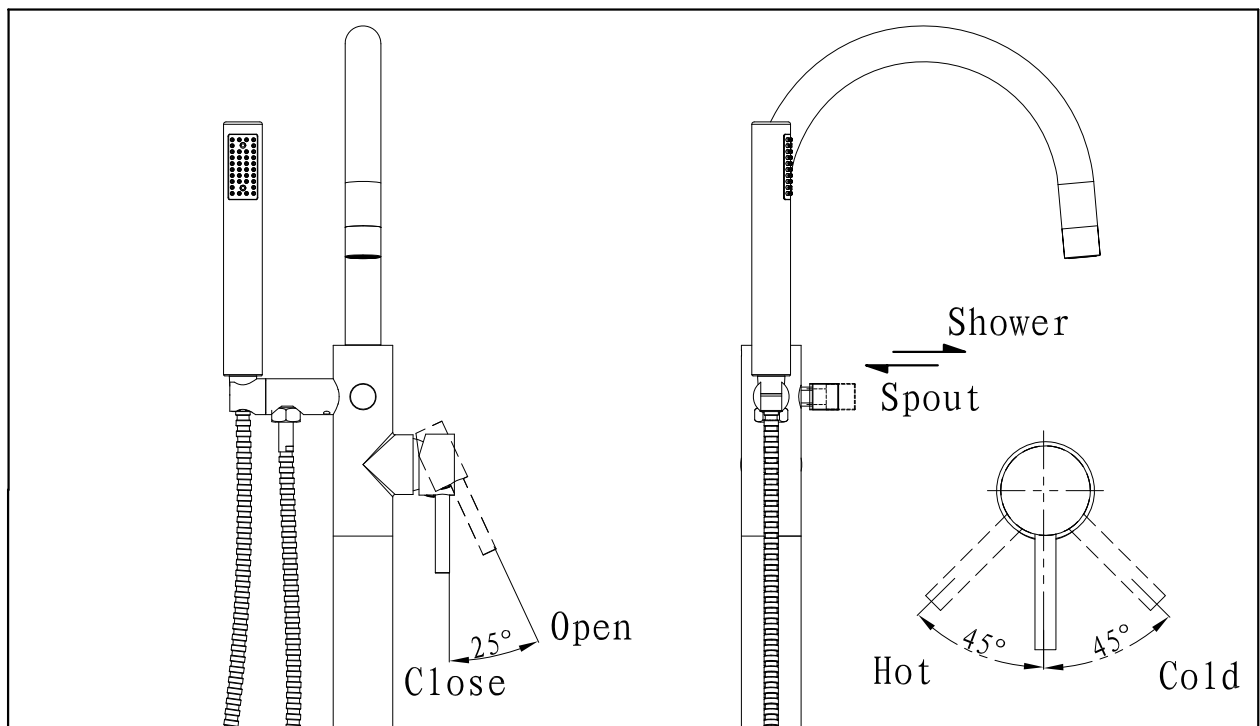
**Before you begin:**

- Please take note of different standards and regulations that are dictated by your local plumbing codes. This product is certified in accordance with North American building codes.
- We insist that you use services of a professional plumber with experience in the installation of similar fixtures.
- Ensure that the piping system is well secured to prevent rattling, vibration and banging noises caused by a water hammer. We also recommend that you use water hammer arrestors.
- Remove the cartridge, Purge the water supply system for around 30 seconds, and then carefully reinstall the cartridge.

**Tools and equipment you will need:**



**Waterway diagram:**



# voqt

PURE QUALITY AND DESIGN

Parts/Assembly

Model Name: WÖRGL

FREE-STANDING TUB FILLER

Model No: BF.WL.2100.XX

