

## TABLE OF CONTENTS

- **FREE-STANDING TUB FILLER** **3**
- **TUB FILLER WITH RISERS** **16**

### Before you begin:

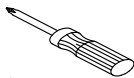
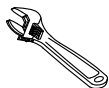
- Please take note of different standards and regulations that are dictated by your local plumbing codes. This product is certified in accordance with North American building codes.
- We insist that you use the services of a professional plumber with experience in the installation of similar fixtures.
- Ensure that the piping system is well secured to prevent rattling, vibration and banging noises caused by a water hammer. We also recommend that you use water hammer arrestors.
- Remove the cartridge and purge the water supply system for around 30 seconds. Then carefully reinstall the cartridge.
- After installation, check and ensure that there are no leaks.

# Freestanding tub filler

\*\*\*\*\*

**Tools and equipment  
You will need:**

**Estimated assembly time**



+/- 120 Min

## Reference



Hot water



Cold water



Grease

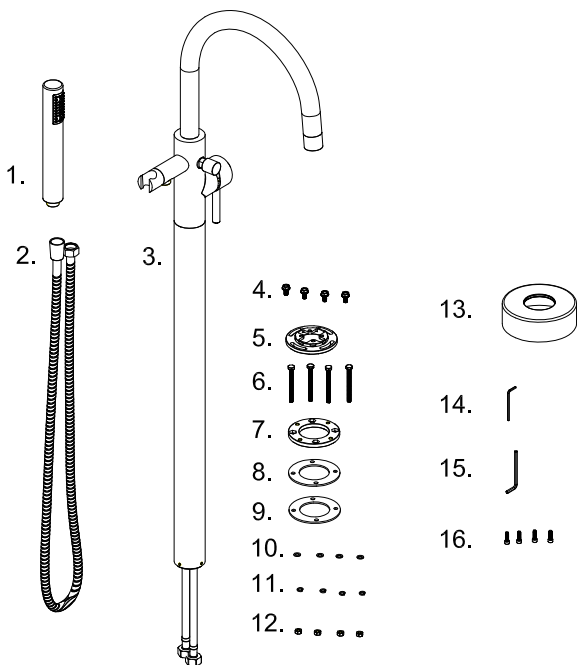


Warning



Sealant tape

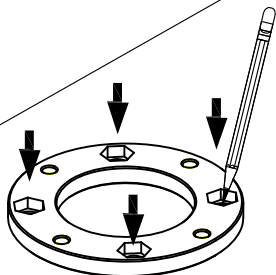
# FREE-STANDING TUB FILLER



1. Shower Handle
2. Hose
3. Body
4. Screw
5. Fixture Plate
6. Screw
7. Flange
8. Rubber Washer

9. Metal Washer
10. Washer
11. Spring Washer
12. Nut
13. Flange Cover Plate
14. 2.5 Hex Wrench
15. 6.0 Hex Wrench
16. Screw

1



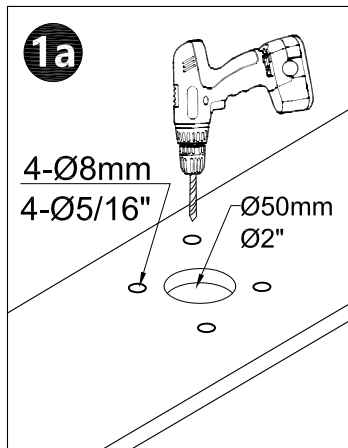
1a

4-Ø8mm

4-Ø5/16"

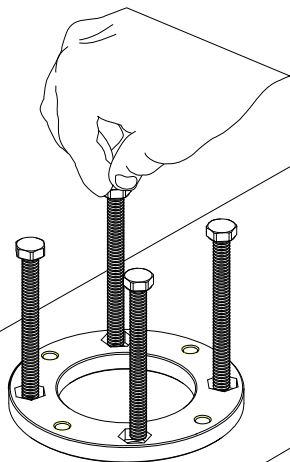
Ø50mm

Ø2"

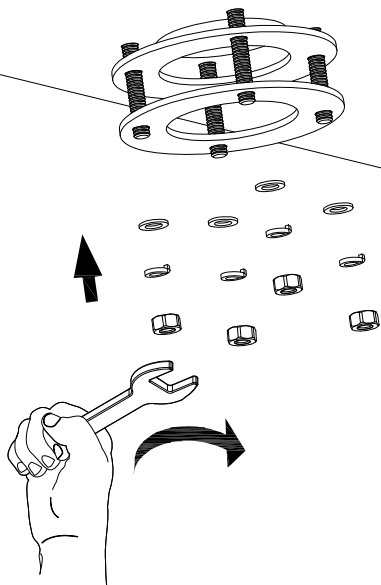


Wooden subfloor

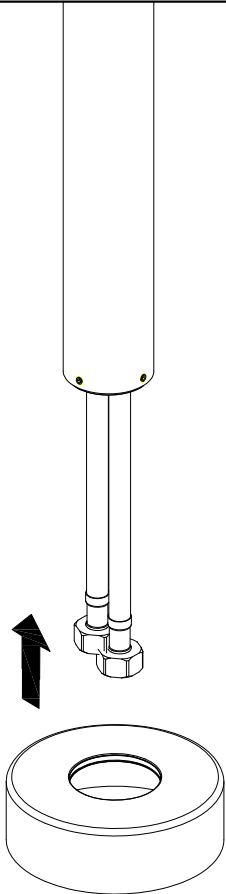
2



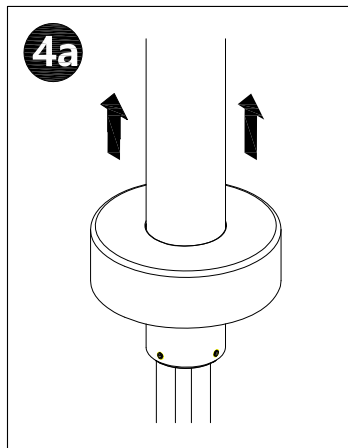
3



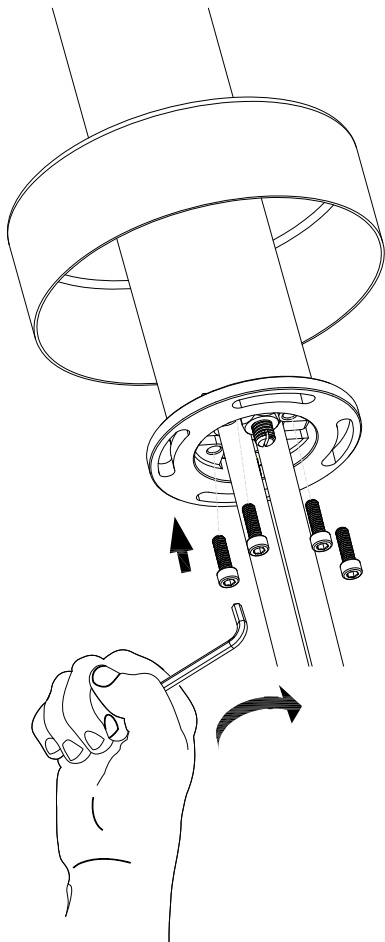
4



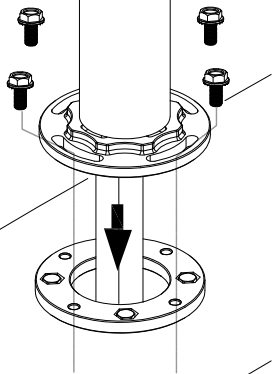
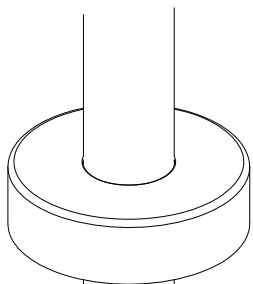
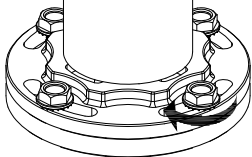
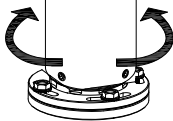
4a



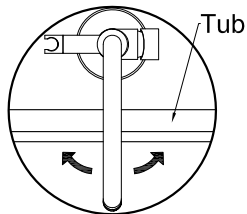
5



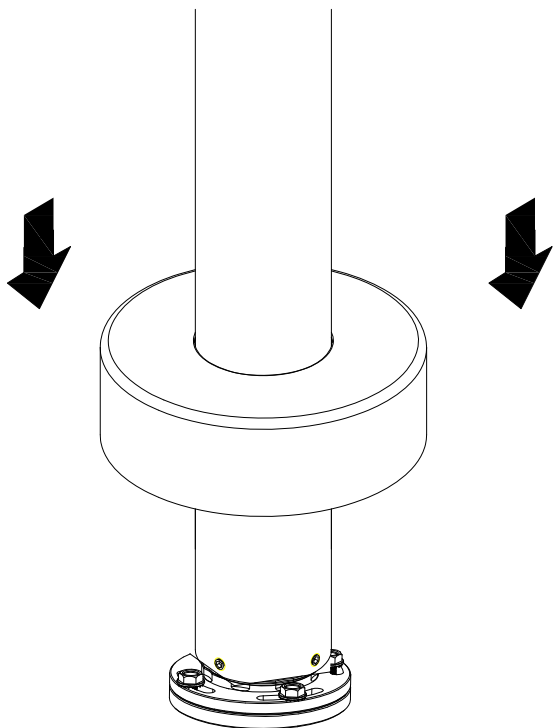


**6****6a****6b**

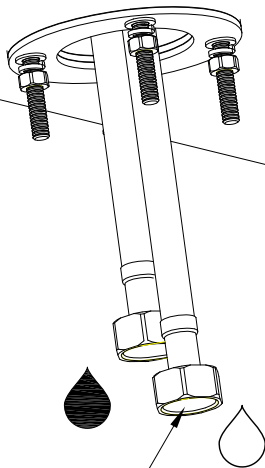
Adjust the spout direction,  
then lock screws



7

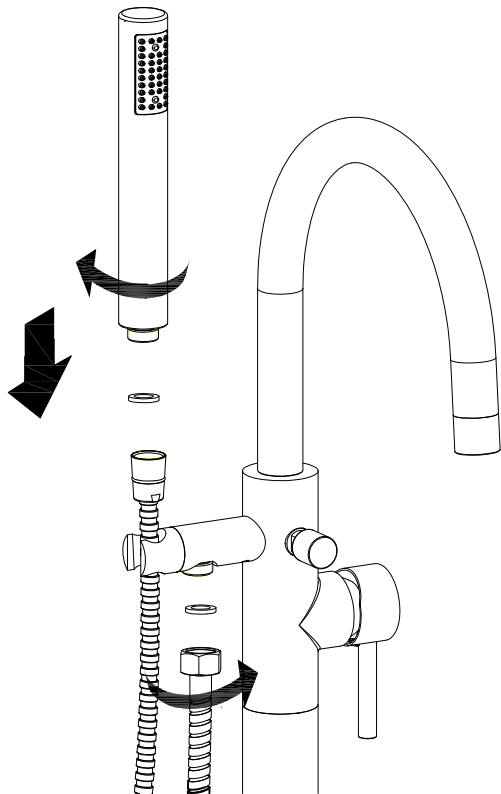


8

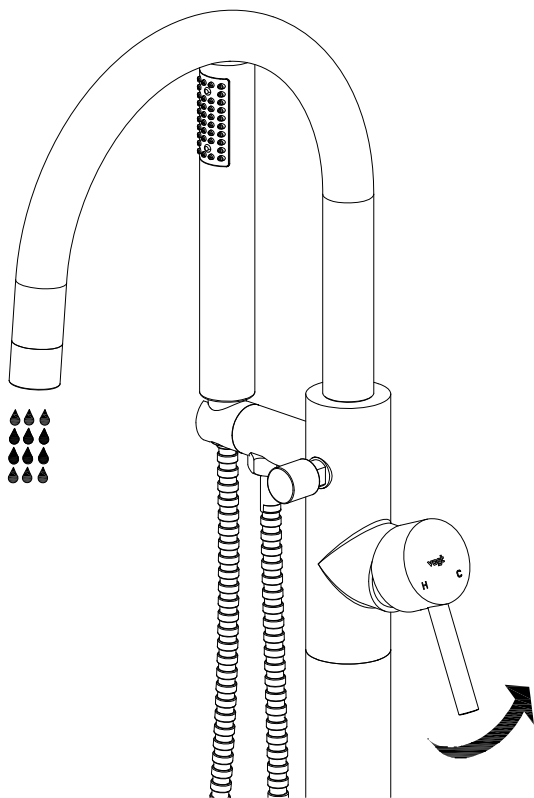


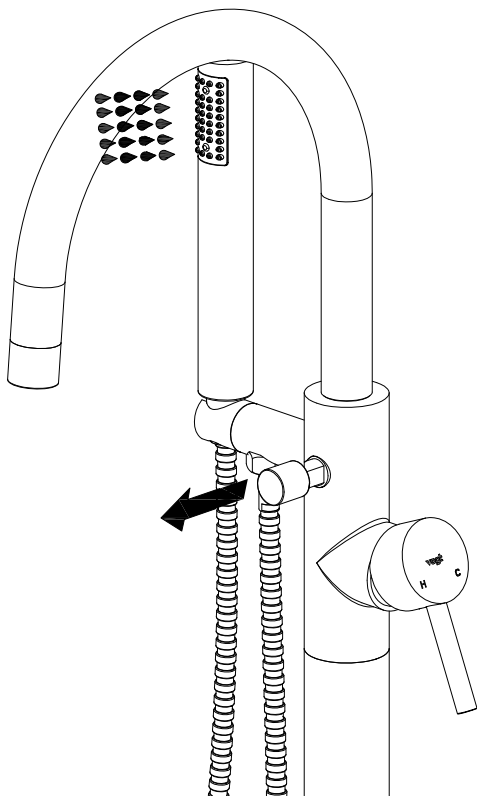
1/2-14NPSM

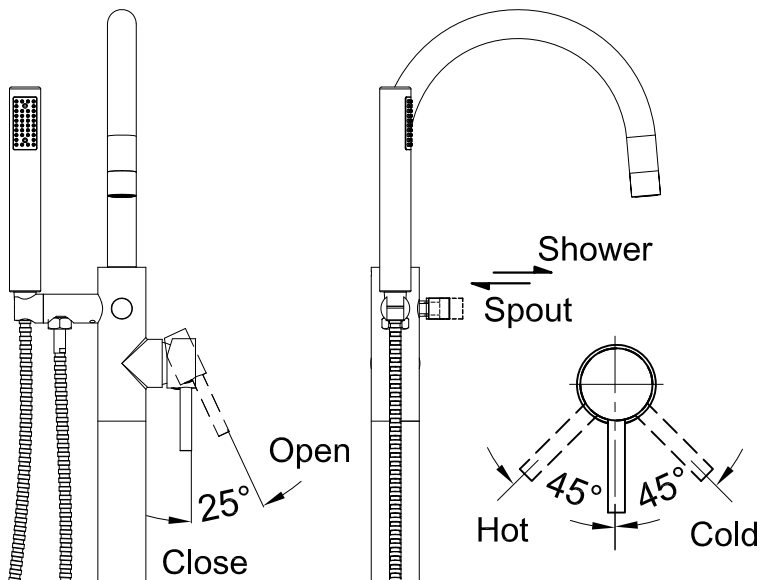
9



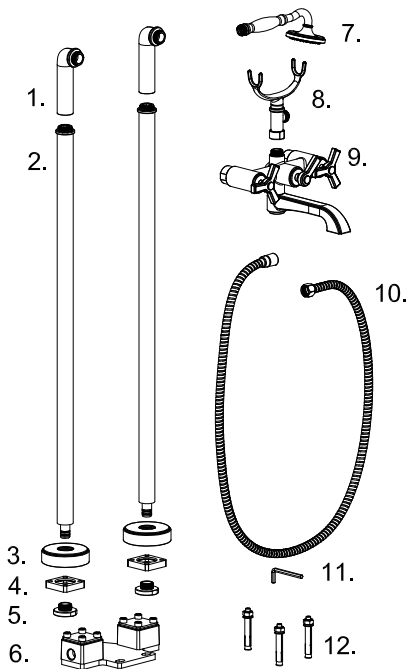
10







# TUB FILLER WITH RISERS



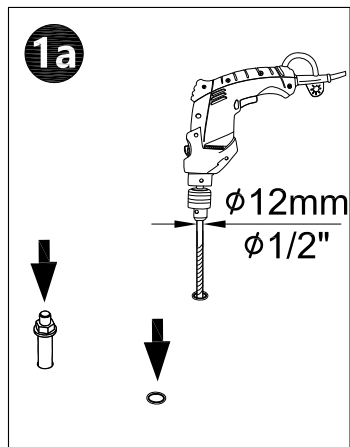
1. Inlet tube
2. Risers
3. Flange Cover Plate
4. Flange
5. Pressure Plate
6. Rough-In

7. Hand shower
8. Holder
9. Valve
10. Hose
11. Hex Wrench
12. Expansion Screw

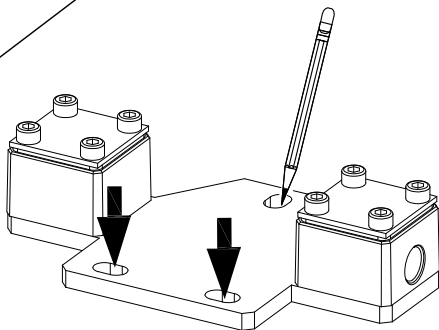


1

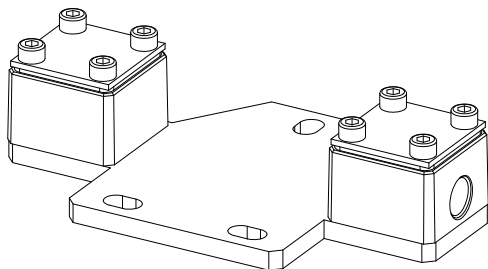
1a



Finished Floor

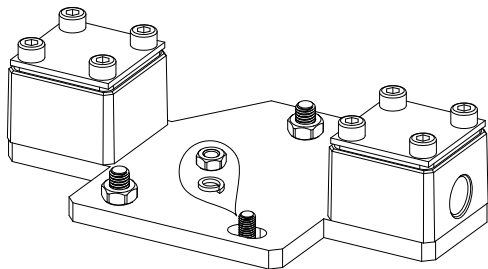
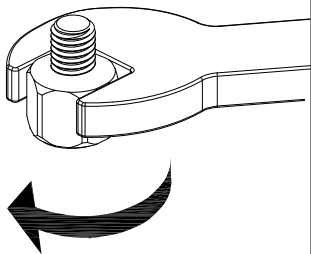


2



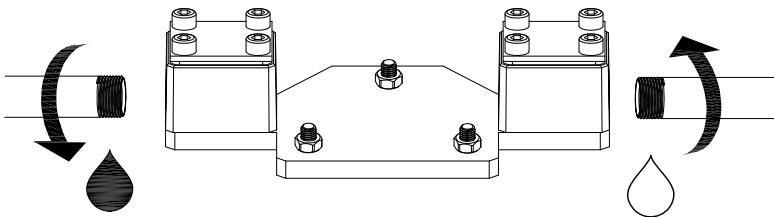
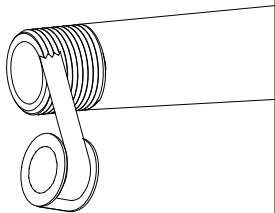
3

3a



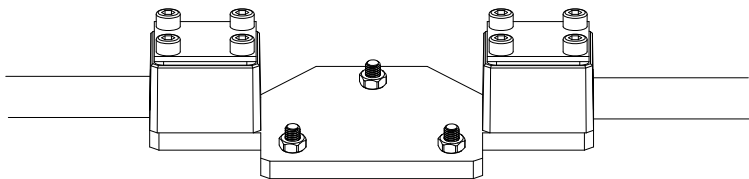
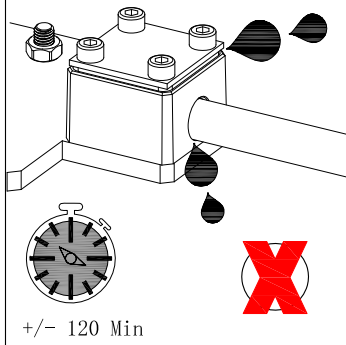
4

4a



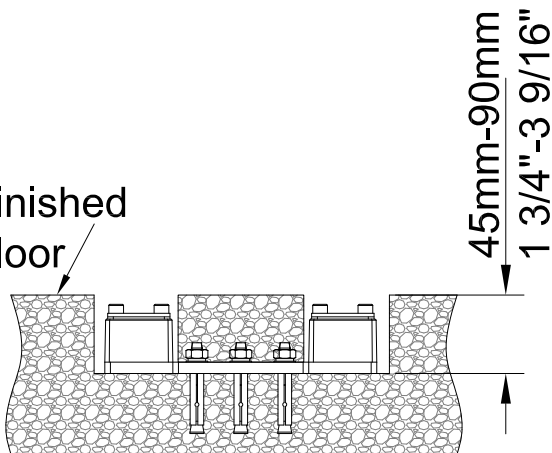
5

5a

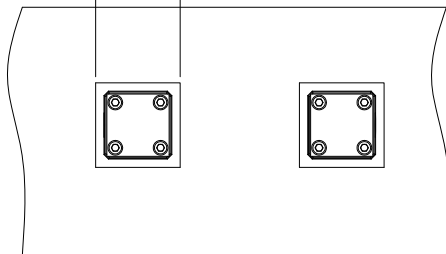


6

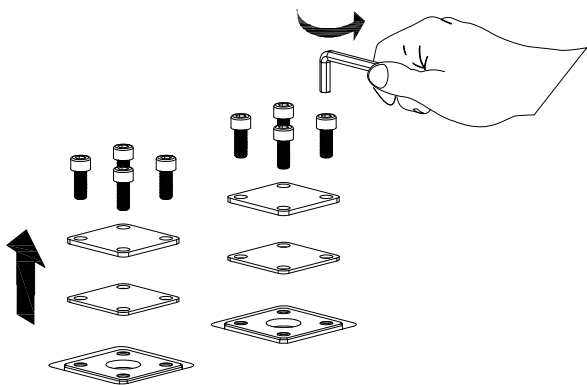
Finished  
Floor



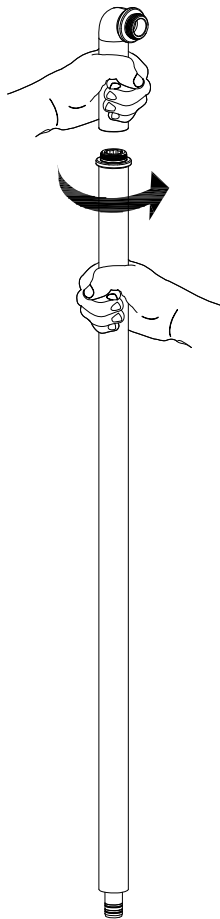
57mm-60mm  
2 1/4"-2 3/8"



7

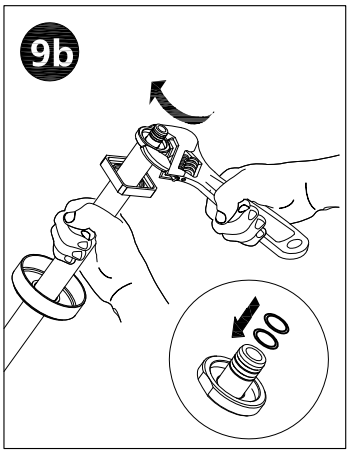
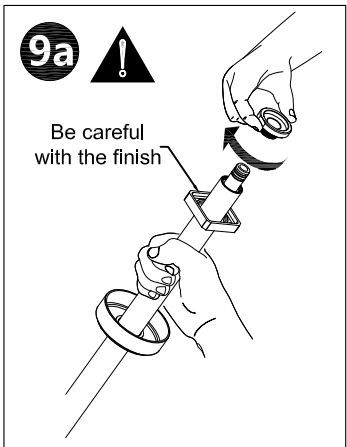
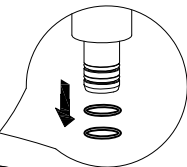


8

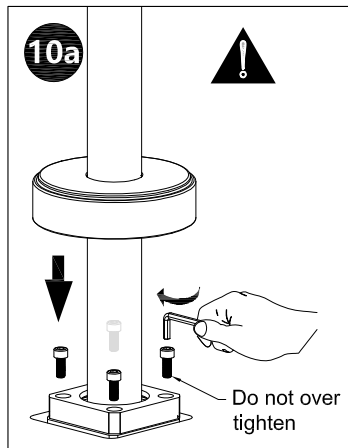
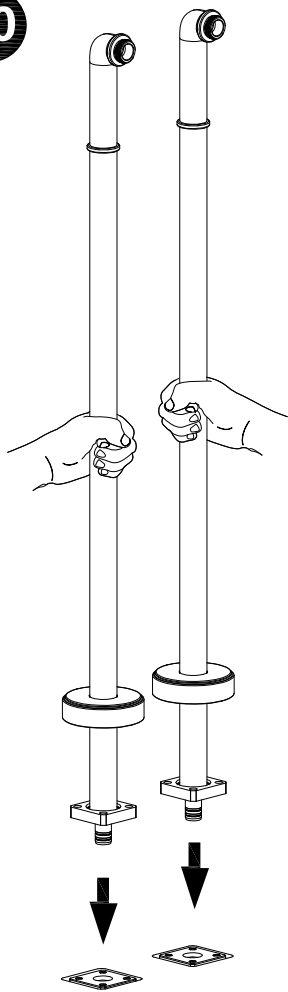




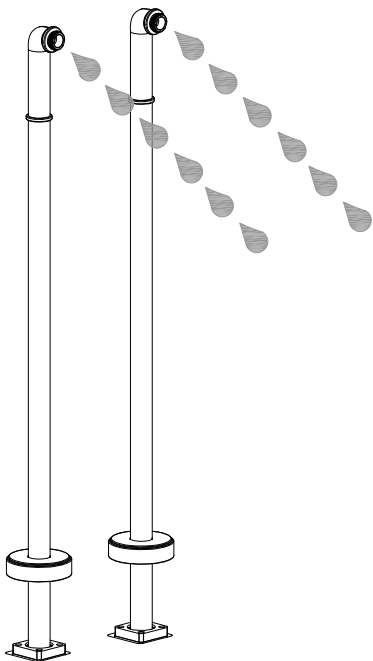
9



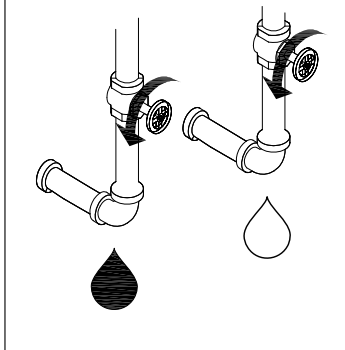
10



11

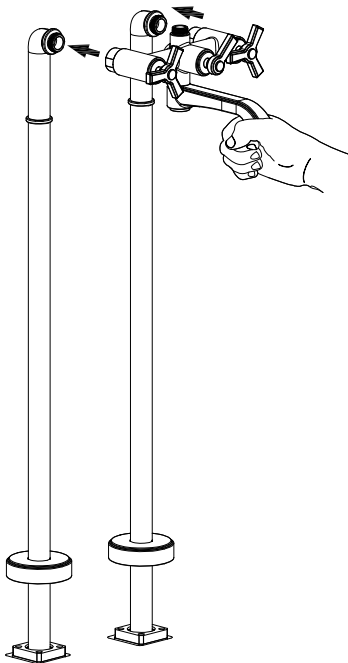


11a



Once the welding is finished, purge the water supply system for around 30 seconds.

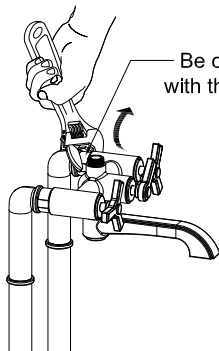
12



12a



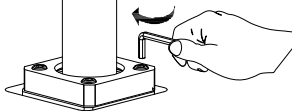
Be careful  
with the finish



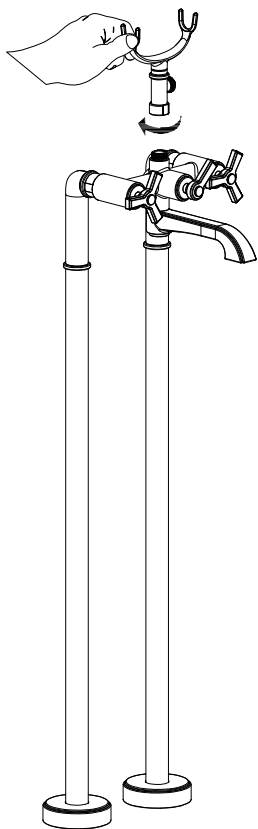
12b



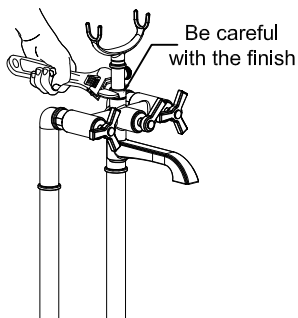
Locking Screw



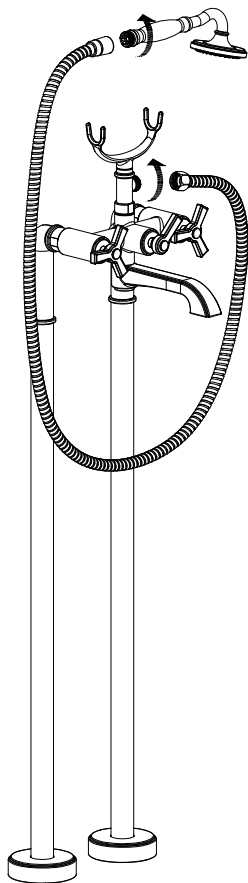
13

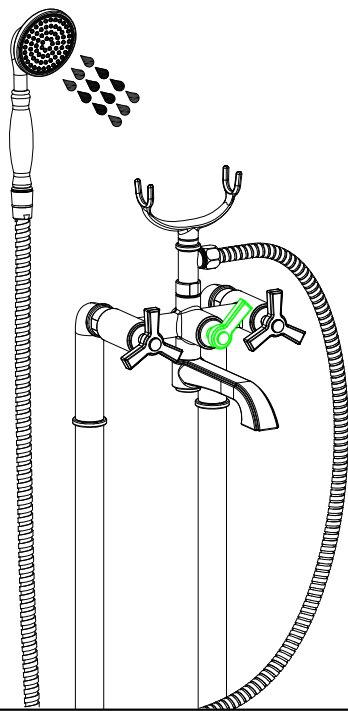


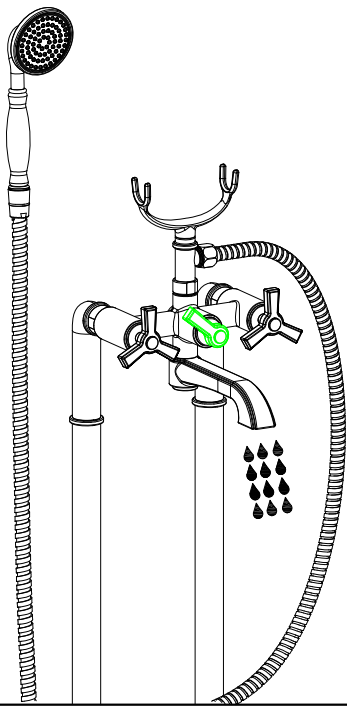
13a



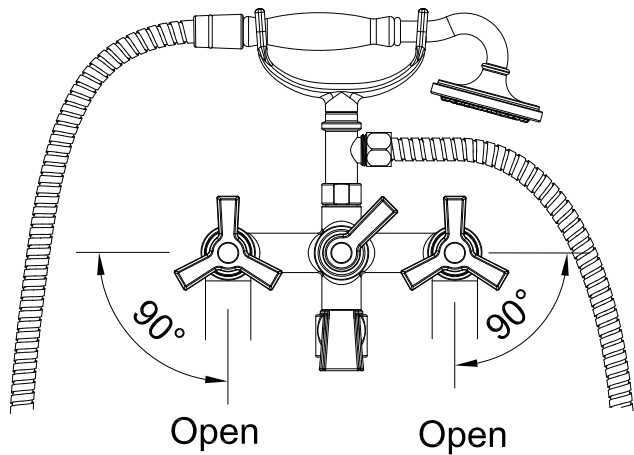
14











# Notes

---

---

---

---

---

---

---

---

---

---

---

---

---

---

---