

LAVANTTAL 16R STAINLESS STEEL SINK

KS.3418.L16R

Description

- Handmade undermount stainless steel kitchen sink with rounded corners and a low divider

Features

- Double bowl (50/50 basin split)
- 10mm radius corners
- Rear-positioned drain holes for maximum cabinet space
- Soundproof padding on each side
- Undercoating for sound absorption and condensation control

Material

- Premium 304 series, 16 gauge stainless steel

Dimensions

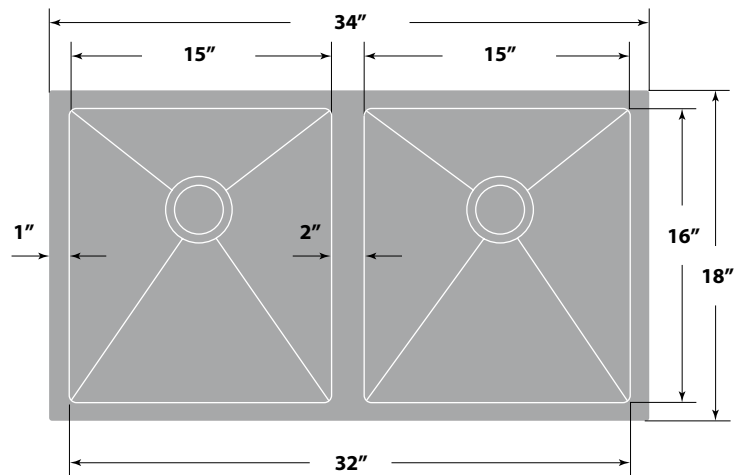
- Sink size: 34" x 18"
- Sink depth: 10"
- Minimum cabinet size: 36"
- Drain opening: 3 1/2" (90 mm)

Codes / Standards

- Uniform Plumbing Code (UPC®)

Warranty

- Limited lifetime warranty against all manufacturing defects to the original consumer purchaser (see full warranty for more details)



Lavanttal features a low divider

