

NIVEAU

2-WAY THERMOSTATIC SHOWER TRIM

TM.NU.220.210

Description

- **TM.NU.220** - Trim for 2-way thermostatic valve
- **SH.07.0808** - 8" square full brass shower head
- **WA.01.16** - 16" wall mount shower arm with 1/2" female NPT connection
- **BH.07.03** - 30 1/8" sliding shower bar with hose and 4 function hand shower (HS.04.03)
- **EC.07.01** - Square brass elbow connector with 1/2" female NPT connection

Available Finishes

- Chrome (CC)
- Matte Black (MB)
- Brushed Gold (BG)

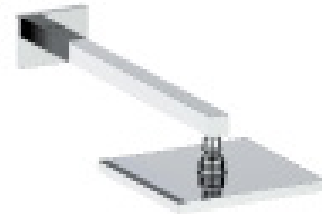
(Model Pictured: Chrome)

Codes / Standards

- Uniform Plumbing Code (UPC®)
- ASME A112.18.1/CSA B125.1
- ASSE 1016

Warranty

- Valve & cartridge - limited lifetime warranty
- Components - 3 year limited warranty
(see full warranty for details)



NIVEAU

2-WAY THERMOSTATIC VALVE & TRIM

TM.NU.220

Description

- TM.NU.220 - Trim for 2-way thermostatic valve
- 3 positions

Flow Rate

- 6.1 gpm | 23 lpm | 60 psi

Cartridge

- CE.1401.TT - cartridge
- CE.1410.DR - diverter

Available Finishes

- Chrome (CC)
- Matte Black (MB)
- Brushed Gold (BG)

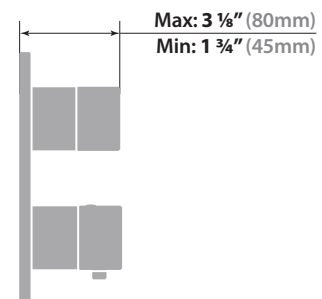
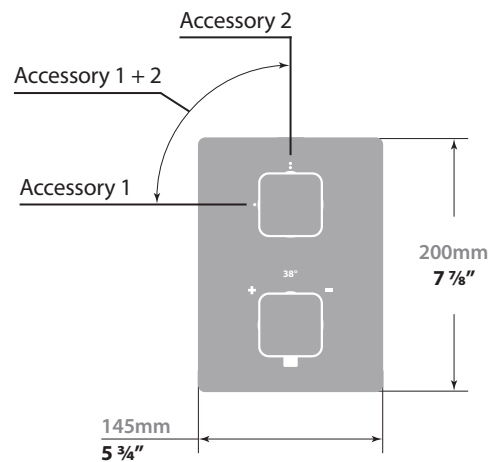
(Model Pictured: Chrome)

Codes / Standards

- Uniform Plumbing Code (UPC®)
- ASME A112.18.1/CSA B125.1
- ASSE 1016

Warranty

- Limited lifetime warranty (see full warranty for details)



16" WALL ARM

WA.01.16

Description

- 16" wall mount shower arm with 1/2" female NPT connection
- Square pipe with rectangular escutcheon plate

Available Finishes

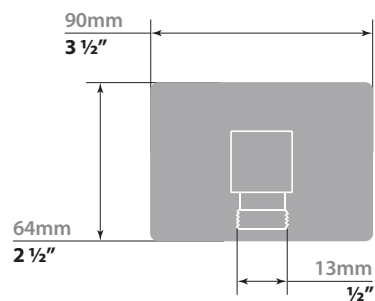
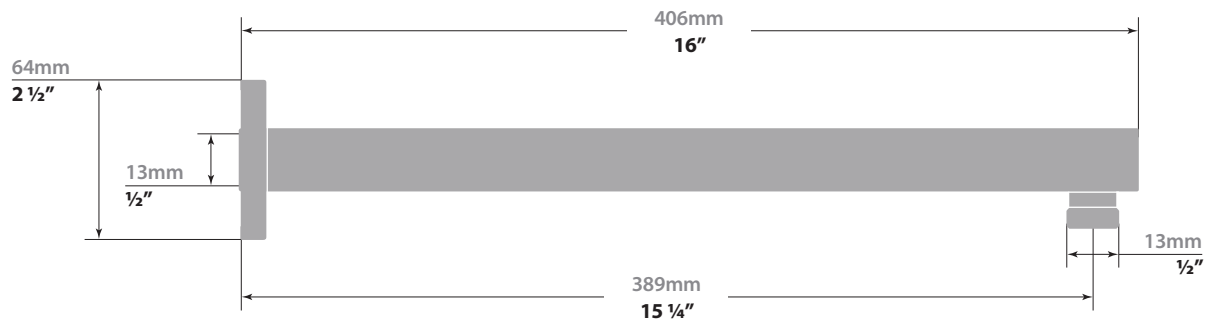
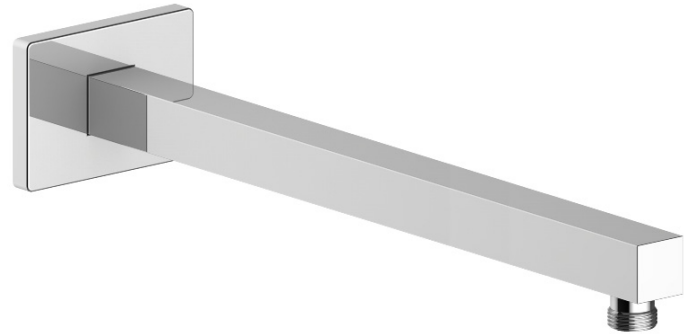
- Chrome (CC)
- Brushed Nickel (BN)
- Matte Black (MB)
- Brushed Gold (BG)

(Model Pictured: Chrome)

Codes / Standards

- Uniform Plumbing Code (UPC®)
- ASME A112.18.1/CSA B125.1

Warranty



8" SQUARE SHOWER HEAD

SH.07.0808

Description

- 8" square full brass shower head
- Anti-limescale technology

Flow Rate

- 2 gpm | 7.6 lpm | 60 psi

Available Finishes

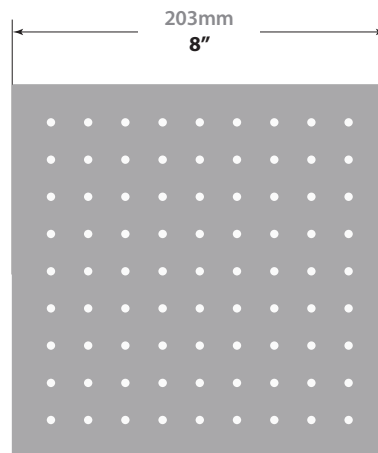
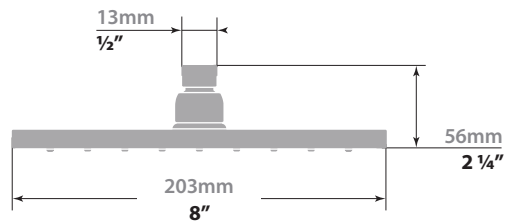
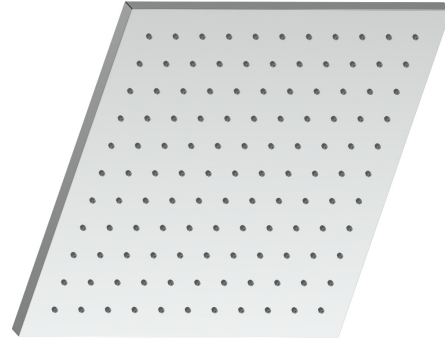
- Chrome (CC)
- Matte Black (MB)
- Brushed Gold (BG)

(Model Pictured: Chrome)

Codes / Standards

- Uniform Plumbing Code (UPC®)
- ASME A112.18.1/CSA B125.1

Warranty



NIVEAU

SLIDING SHOWER BAR WITH HANDSHOWER

BH.07.03

Description

- SB.07.30 - 30 1/8" sliding shower bar
- HE.150 - 59" hose
- HS.04.03 - 4-function hand shower

Flow Rate

- 2 gpm | 7.6 lpm | 60 psi

Available Finishes

- Chrome (CC)
- Matte Black (MB)
- Brushed Gold (BG)

(Model Pictured: Chrome)

Codes / Standards

- Uniform Plumbing Code (UPC®)
- ASME A112.18.1/CSA B125.1
- ASSE 1016

Warranty

- Limited lifetime warranty
(see full warranty for details)



SQUARE WALL SUPPLY ELBOW

EC.07.01

Description

- Square brass elbow connector with 1/2" female NPT connection

Available Finishes

- Chrome (CC)
- Matte Black (MB)
- Brushed Gold (BG)

(Model Pictured: Chrome)

Codes / Standards

- Uniform Plumbing Code (UPC®)
- ASME A112.18.1/CSA B125.1

Warranty

- Limited lifetime warranty

