

WÖRGL

2-WAY PRESSURE BALANCED SHOWER TRIM

TM.WL.210.210

Components Included

- **TM.WL.210** - Trim for 2-way pressure balanced valve
- **SH.02.0808** - 8" round stainless steel shower head
- **WA.02.16** - 16" wall mount shower arm with ½" female NPT connection
- **BH.03.03** - 31" sliding shower bar with hose and 3 function hand shower (HS.03.03)
- **EC.02.01** - Round brass elbow connector with ½" female NPT connection

Available Finishes

- Chrome (CC)
- Brushed Nickel (BN)
- Matte Black (MB)
- Brushed Gold (BG)

(Model Pictured: Chrome)

Codes / Standards

- Uniform Plumbing Code (UPC®)
- ASME A112.18.1/CSA B125.1
- ASSE 1016

Warranty

- Valve & cartridge - Limited lifetime warranty
- Components - Limited lifetime warranty
(see full warranty for details)



WÖRGL
2-WAY PRESSURE BALANCED TRIM

TM.WL.210

Description

- **TM.WL.210** - Trim for 2-way pressure balanced valve
- 3 positions

Flow Rate

- 5.7 gpm | 21.5 lpm | 60 psi

Cartridge

- CE.1440.PB - cartridge
- CE.1702.DR - diverter

Available Finishes

- Chrome (CC)
- Brushed Nickel (BN)
- Matte Black (MB)
- Brushed Gold (BG)

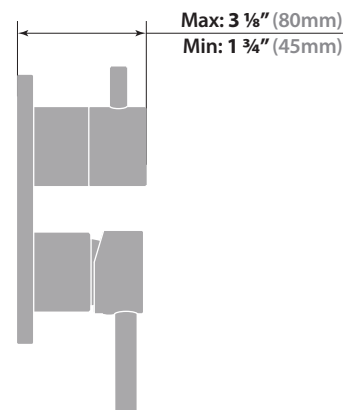
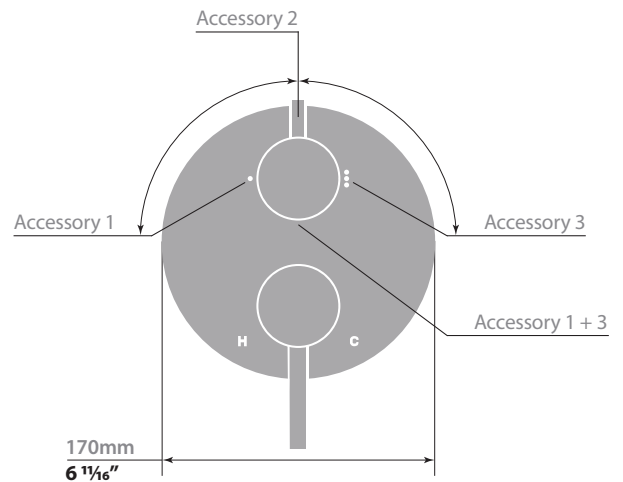
(Model Pictured: Chrome)

Codes / Standards

- Uniform Plumbing Code (UPC®)
- ASME A112.18.1/CSA B125.1
- ASSE 1016

Warranty

- Limited lifetime warranty (see full warranty for details)



16" WALL ARM

WA.02.16

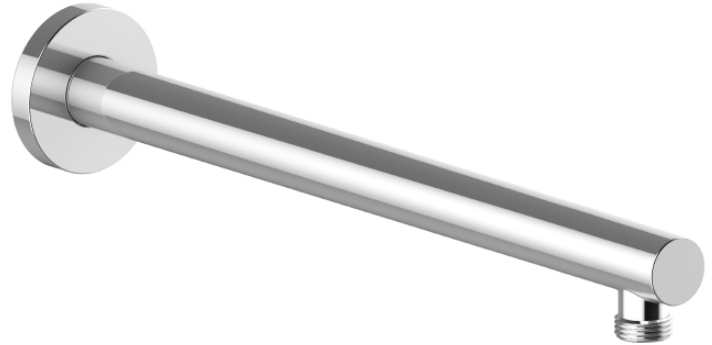
Description

- 16" wall mount shower arm with 1/2" female NPT connection
- Round pipe with round escutcheon plate

Available Finishes

- Chrome (CC)
- Brushed Nickel (BN)
- Glossy White / Chrome (CW)
- Matte Black (MB)
- Brushed Gold (BG)

(Model Pictured: Chrome)

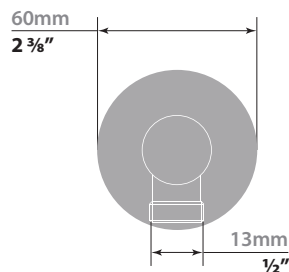
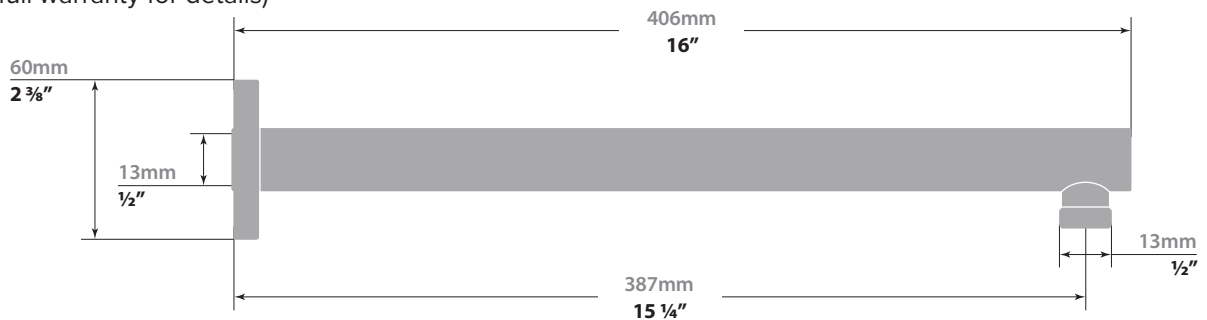


Codes / Standards

- Uniform Plumbing Code (UPC®)
- ASME A112.18.1/CSA B125.1

Warranty

- Limited lifetime warranty (see full warranty for details)



8" ROUND SHOWER HEAD

SH.02.0808

Description

- 8" round stainless steel shower head
- Anti-limescale technology

Flow Rate

- 2 gpm | 7.6 lpm | 60 psi

Available Finishes

- Chrome (CC)
- Brushed Nickel (BN)
- Matte Black (MB)
- Brushed Gold (BG)

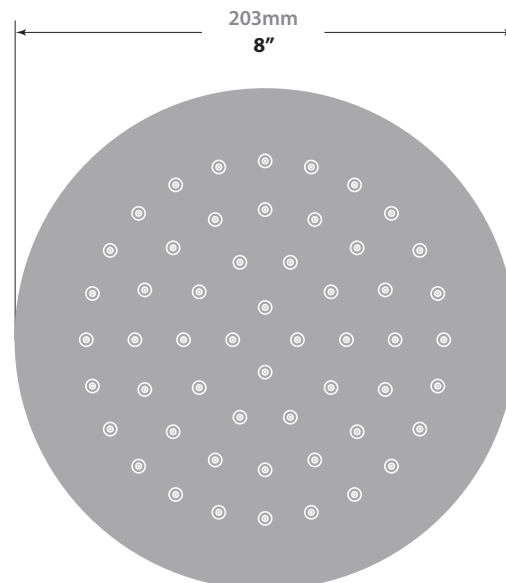
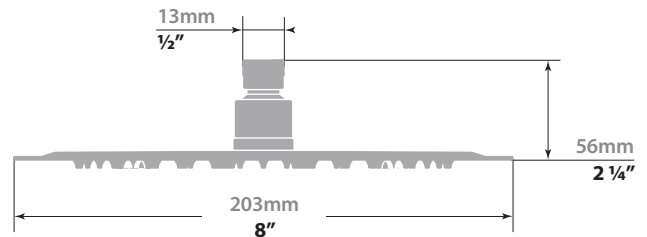
(Model Pictured: Chrome)

Codes / Standards

- Uniform Plumbing Code (UPC®)
- ASME A112.18.1/CSA B125.1

Warranty

- Limited lifetime warranty
(see full warranty for details)



WÖRGL

SLIDING SHOWER BAR WITH HANDSHOWER

BH.03.03

Description

- SB.02.31 - 31" sliding shower bar
- HE.150 - 59" hose
- HS.03.03 - 3-function hand shower

Flow Rate

- 2 gpm | 7.6 lpm | 60 psi

Available Finishes

- Chrome (CC)
- Brushed Nickel (BN)
- Matte Black (MB)
- Brushed Gold (BG)

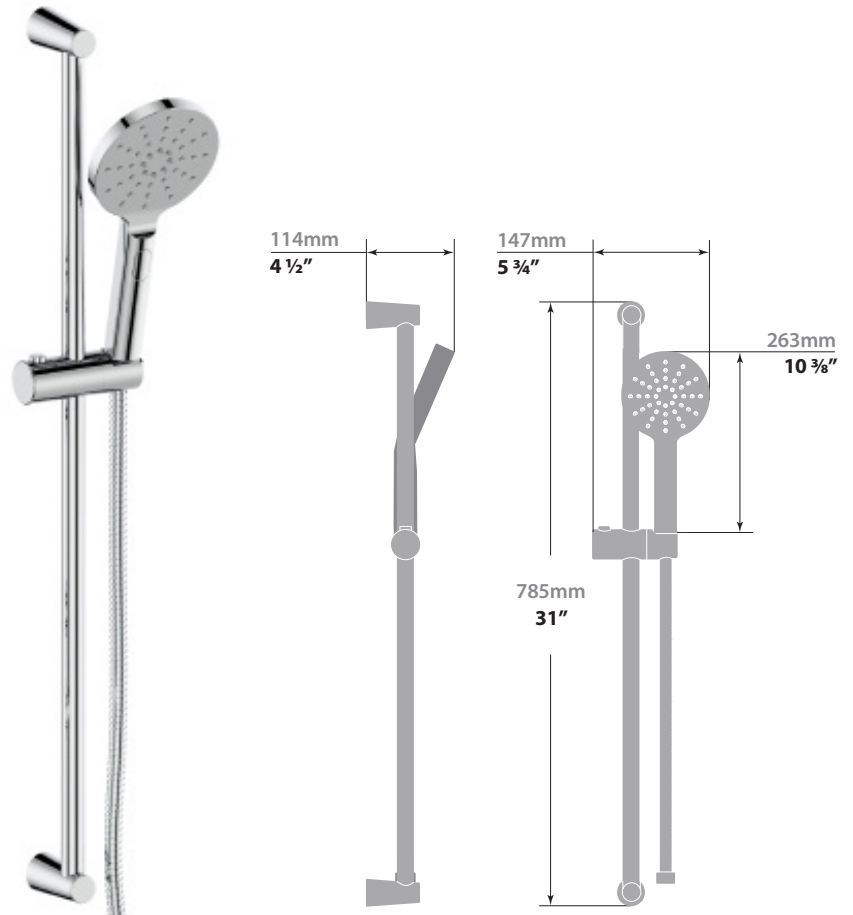
(Model Pictured: Chrome)

Codes / Standards

- Uniform Plumbing Code (UPC®)
- ASME A112.18.1/CSA B125.1
- ASSE 1016

Warranty

- Limited lifetime warranty
(see full warranty for details)



ROUND WALL SUPPLY ELBOW

EC.02.01

Description

- Round brass elbow connector with 1/2" female NPT connection

Available Finishes

- Chrome (CC)
- Brushed Nickel (BN)
- Glossy White / Chrome (CW)
- Matte Black (MB)
- Brushed Gold (BG)

(Model Pictured: Chrome)

Codes / Standards

- Uniform Plumbing Code (UPC®)
- ASME A112.18.1/CSA B125.1

Warranty

- Limited lifetime warranty (see full warranty for details)

