

### ZEHN KITCHEN FAUCET

KF.16ZN.1112

#### Description

- Magnetic docking system
- Pull-out sprayer with 2 stream functions and built-in swivel
- Solid brass construction
- Brass faucet spray head
- 3/8" compression fitting

#### Cartridge

- CE.1735.P - ceramic disk cartridge

#### Flow Rate

- 1.75 gpm | 6.6 lpm | 60 psi

#### Finishes Available

- |                        |                                      |
|------------------------|--------------------------------------|
| ■ Chrome (CC)          | ■ Matte Gold (MG)                    |
| ■ Stainless Steel (SS) | ■ Matte Black / Chrome (CB)          |
| ■ Matte Black (MB)     | ■ Matte Black / Stainless Steel (SB) |
| ■ Antique Bronze (AB)  | ■ Matte Black / Polished Nickel (PB) |
| ■ Polished Nickel (PN) | ■ Matte Black / Matte Gold (GB)      |

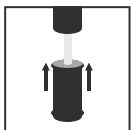
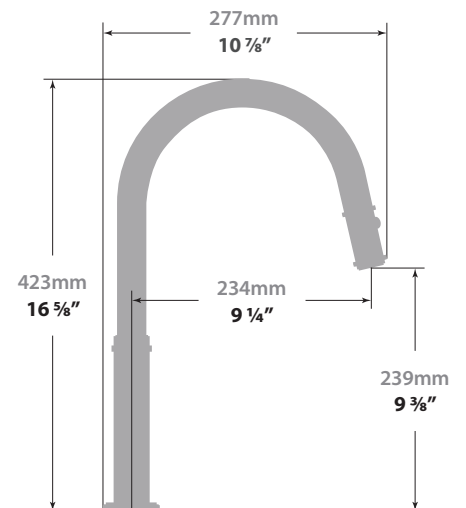
(Model Pictured: Chrome)

#### Codes / Standards

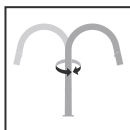
- Uniform Plumbing Code (UPC®)
- ASME A112.18.1/CSA B125.1
- NSF 372
- NSF/ANSI 61

#### Warranty

- Limited lifetime warranty against all manufacturing defects to the original consumer purchaser (see full warranty for more details)



Magnetic Mechanism



360° Swivel Spout