

KAPFENBERG

1-WAY PRESSURE BALANCED SHOWER SYSTEM

SET.AP.110.400

Components Included

- **VE.110** - Pressure balanced valve without diverter
- **TM.KG.110** - Trim for 1-way pressure balanced valve
- **SH.01.0404** - 4" square stainless steel shower head
- **WA.41.07** - 6" wall mount arm
- **TS.41.07** - Slip-on brass tub spout with diverter

Available Finishes

- Chrome (CC)
- Brushed Nickel (BN)
- Matte Black (MB)

(Model Pictured: Chrome)

Codes / Standards

- Uniform Plumbing Code (UPC®)
- ASME A112.18.1/CSA B125.1
- ASSE 1016

Warranty

- Limited lifetime warranty
(see full warranty for details)



KAPFENBERG PRESSURE BALANCED VALVE & TRIM

VT.KG.110

Description

- VE.110 - 1/2" pressure balanced valve
- TM.KG.110 - Trim for 1/2" pressure balanced valve
- 1 position

Flow Rate

- 5.5 gpm | 21 lpm | 60 psi

Cartridge

- CE.1440.PB - cartridge

Available Finishes

- Chrome (CC)
- Brushed Nickel (BN)
- Matte Black (MB)

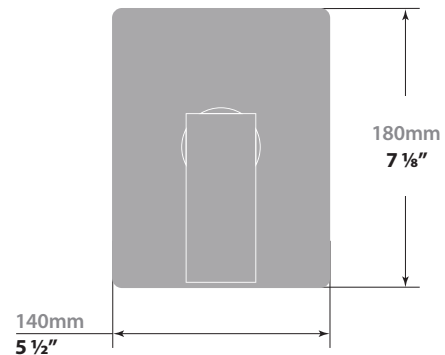
(Model Pictured: Chrome)

Codes / Standards

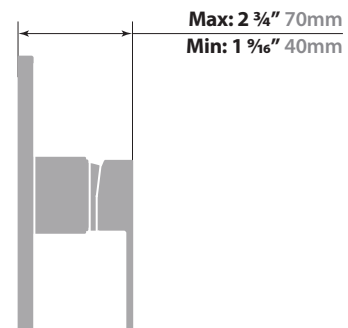
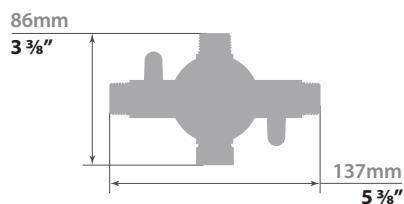
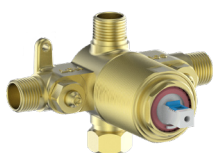
- Uniform Plumbing Code (UPC®)
- ASME A112.18.1/CSA B125.1
- ASSE 1016

Warranty

- Limited lifetime warranty
(see full warranty for details)



VE.110 - Pressure Balanced Valve Without Diverter



PRESSURE BALANCED VALVE WITHOUT DIVERTER

VE.110

Description

- Valve with pressure balanced cartridge
- ½" male NPT connections

Flow Rate

- 5.5 gpm | 21 lpm | 60 psi

Cartridge

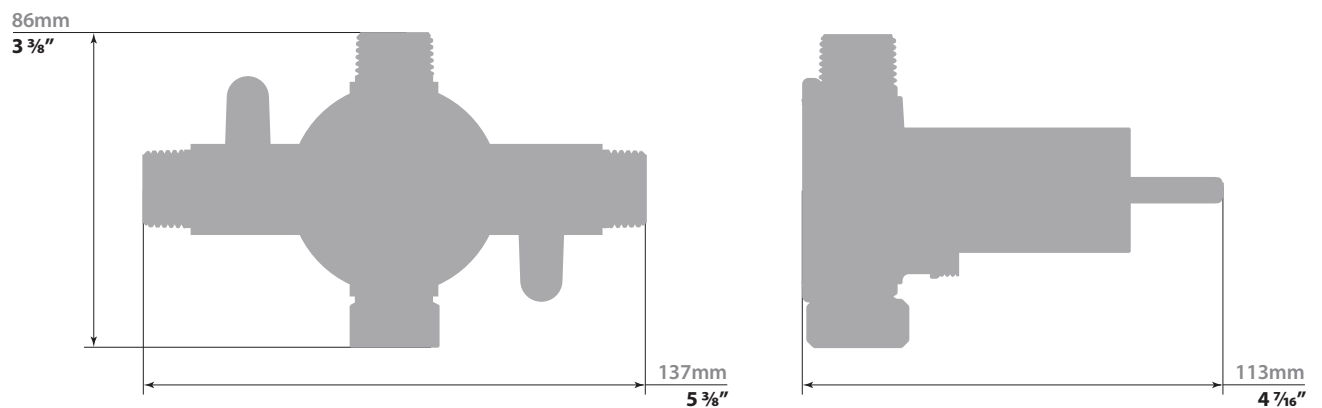
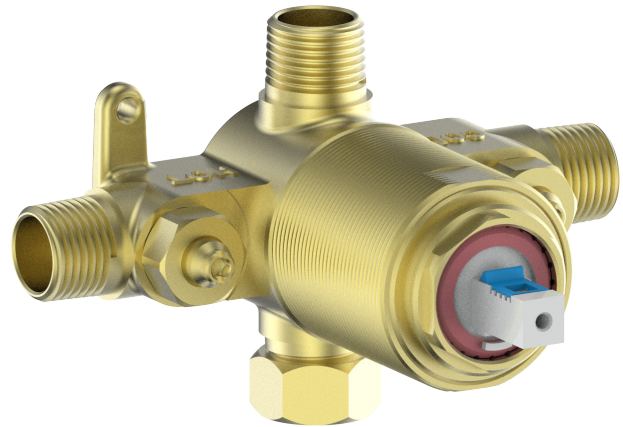
- CE.1440.PB cartridge

Codes / Standards

- Uniform Plumbing Code (UPC®)
- ASME A112.18.1/CSA B125.1
- ASSE 1016

Warranty

- Limited lifetime warranty
(see full warranty for more details)



6" WALL ARM

WA.41.07

Description

- 6" wall mount shower arm with ½" female NPT connection
- Round pipe with square escutcheon plate

Available Finishes

- Chrome (CC)
- Brushed Nickel (BN)
- Matte Black (MB)

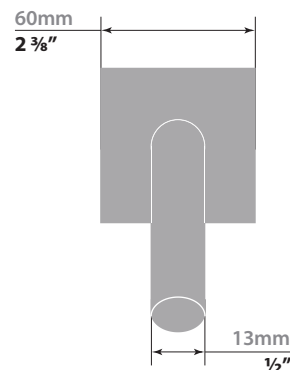
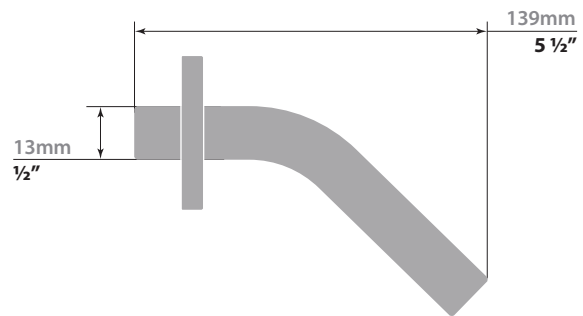
(Model Pictured: Chrome)

Codes / Standards

- Uniform Plumbing Code (UPC®)
- ASME A112.18.1/CSA B125.1

Warranty

- Limited lifetime warranty (see full warranty for details)



4" SQUARE SHOWER HEAD

SH.01.0404

Description

- 4" square stainless steel shower head
- Anti-limescale technology

Flow Rate

- 2 gpm | 7.6 lpm | 60 psi

Available Finishes

- Chrome (CC)
- Brushed Nickel (BN)
- Matte Black (MB)

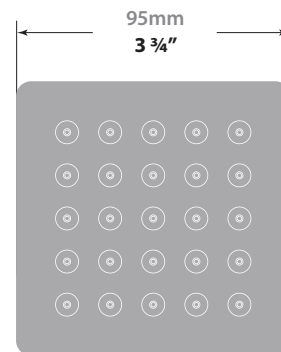
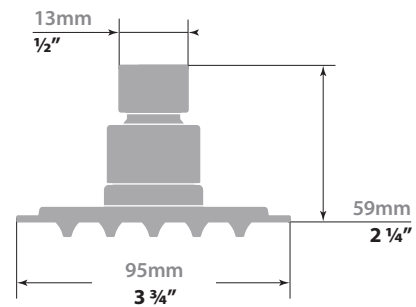
(Model Pictured: Chrome)

Codes / Standards

- Uniform Plumbing Code (UPC®)
- ASME A112.18.1/CSA B125.1

Warranty

- Limited lifetime warranty
(see full warranty for details)



KAPFENBERG SLIP-ON TUB SPOUT WITH DIVERTER

TS.41.07

Description

- Brass tub spout with 1/2" slip-on connection

Available Finishes

- Chrome (CC)
- Brushed Nickel (BN)
- Matte Black (MB)

(Model Pictured: Chrome)

Codes / Standards

- Uniform Plumbing Code (UPC®)
- ASME A112.18.1/CSA B125.1
- ASSE 1016

Warranty

- Limited lifetime warranty (see full warranty for details)

