

KAPFENBERG PRESSURE BALANCED VALVE & TRIM

VT.KG.110

Description

- VE.110 - 1/2" pressure balanced valve
- TM.KG.110 - Trim for 1/2" pressure balanced valve
- 1 position

Flow Rate

- 5.5 gpm | 21 lpm | 60 psi

Cartridge

- CE.1440.PB - cartridge

Available Finishes

- Chrome (CC)
- Brushed Nickel (BN)
- Matte Black (MB)

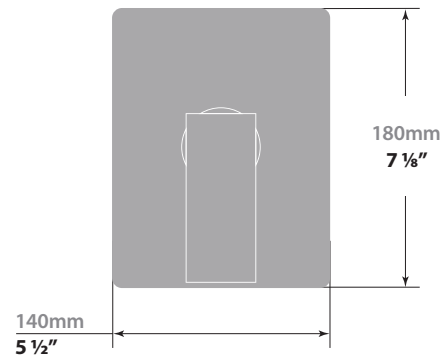
(Model Pictured: Chrome)

Codes / Standards

- Uniform Plumbing Code (UPC®)
- ASME A112.18.1/CSA B125.1
- ASSE 1016

Warranty

- Limited lifetime warranty
(see full warranty for details)



VE.110 - Pressure Balanced Valve Without Diverter

