

**WÖRGL**  
PRESSURE BALANCED  
VALVE & TRIM

VT.WL.110

**Description**

- VE.110 - 1/2" pressure balanced valve
- TM.WL.110 - Trim for 1/2" pressure balanced valve
- 1 position

**Flow Rate**

- 5.5 gpm | 21 lpm | 60 psi

**Cartridge**

- CE.1440.PB - cartridge

**Available Finishes**

- Chrome (CC)
- Brushed Nickel (BN)
- Matte Black (MB)

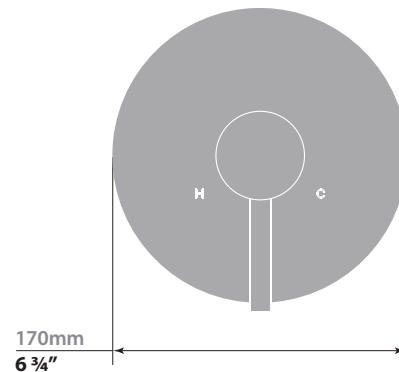
(Model Pictured: Chrome)

**Codes / Standards**

- Uniform Plumbing Code (UPC®)
- ASME A112.18.1/CSA B125.1
- ASSE 1016

**Warranty**

- Limited lifetime warranty  
(see full warranty for details)



**VE.110 - Pressure Balanced Valve Without Diverter**

