

DRAVA 2-WAY THERMOSTATIC SHOWER SYSTEM

SET.DA.220.210

Components Included

- **VE.220** - Thermostatic valve with integrated 2-way diverter
- **TM.DA.220** - Trim for 2-way thermostatic valve
- **SH.06.0808** - 8" round full brass shower head
- **WA.02.16** - 16" wall mount shower arm with ½" female NPT connection
- **BH.06.02** - 27" sliding shower bar with hose and 4-function hand shower (HS.06.02)
- **EC.02.01** - Round brass elbow connector with ½" female NPT connection

Available Finishes

- Chrome (CC)
- Matte Black (MB)
- Matte Black / Chrome (CB)
- Matte Black / Brushed Gold (BGB)

(Model Pictured: Chrome)

Codes / Standards

- Uniform Plumbing Code (UPC®)
- ASME A112.18.1/CSA B125.1
- ASSE 1016

Warranty

- Limited lifetime warranty
(see full warranty for details)

Please note that this shower kit is also available with a 4" ceiling arm (**CA.02.04**) & 8" ceiling arm (**CA.02.08**)

4" ceiling arm Configuration - **SET.DA.220.214**

8" ceiling arm Configuration - **SET.DA.220.218**



2-WAY THERMOSTATIC VALVE

VE.220

Description

- Valve with thermostatic cartridge and 2-way diverter
- ½" male NPT connections

Flow Rate

- 6.1 gpm | 23 lpm | 60 psi

Cartridge

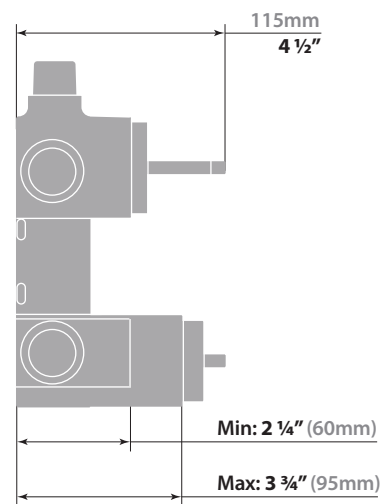
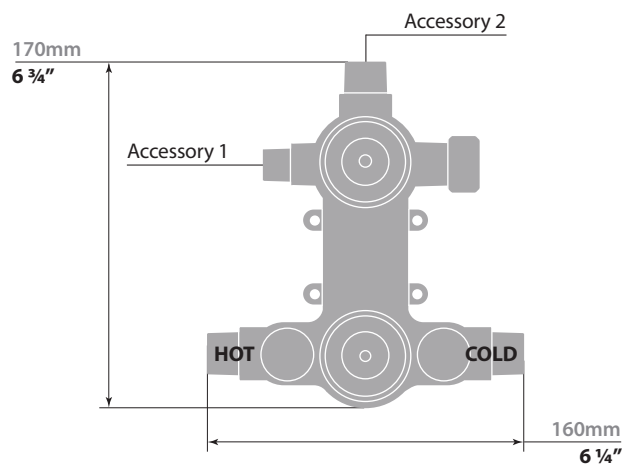
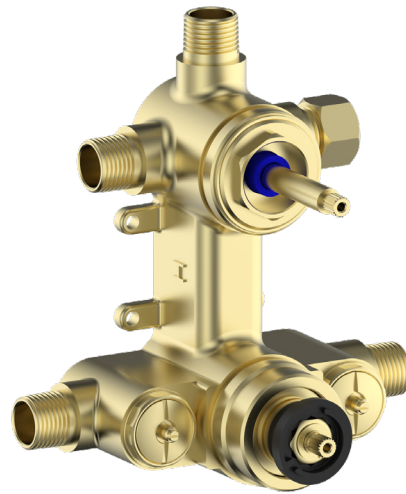
- CE.1401.TT cartridge
- CE.1710.DR diverter

Warranty

- Limited lifetime warranty (see full warranty for more details)

Codes / Standards

- Uniform Plumbing Code (UPC®)
- ASME A112.18.1/CSA B125.1



ROUND WALL SUPPLY ELBOW

EC.02.01

Description

- Round brass elbow connector with 1/2" female NPT connection

Available Finishes

- Chrome (CC)
- Brushed Nickel (BN)
- Glossy White / Chrome (CW)
- Matte Black (MB)
- Brushed Gold (BG)

(Model Pictured: Chrome)

Warranty

- Limited lifetime warranty (see full warranty for details)

Codes / Standards

- Uniform Plumbing Code (UPC®)
- ASME A112.18.1/CSA B125.1

