

# ANTAU

## 2-WAY PRESSURE BALANCED SHOWER SYSTEM

SET.AU.210.500.CC

### Components Included

---

- **VE.210** - Pressure balanced valve with integrated 2-way diverter
- **TM.AU.210.CC** - Trim for 2-way pressure balanced valve
- **BH.04.03.CC** - 27½" sliding shower bar with hose and 4-function hand shower (HS.04.03.CC)
- **EC.01.01.CC** - Square brass elbow connector with ½" female NPT connection
- **TS.04.07.CC** - 7½" brass tub spout with ½" female NPT connection

### Available Finishes

---

- Chrome

### Codes / Standards

---

- Uniform Plumbing Code (UPC®)
- ASME A112.18.1/CSA B125.1
- ASSE 1016

### Warranty

---

- Valve & cartridge - Limited lifetime warranty
- Components - Limited lifetime warranty (see full warranty for details)



### ANTAU

#### 2-WAY PRESSURE BALANCED VALVE & TRIM

VT.AU.210.CC

#### Description

- **VE.210** - 1/2" pressure balanced valve with 2-way diverter
- **TM.AU.210.CC** - Trim for 2-way pressure balanced valve
- 3 positions

#### Flow Rate

- 5.5 gpm | 21 lpm | 60 psi

#### Cartridge

- CE.1440.PB - cartridge
- CE.1403.DR - diverter

#### Available Finishes

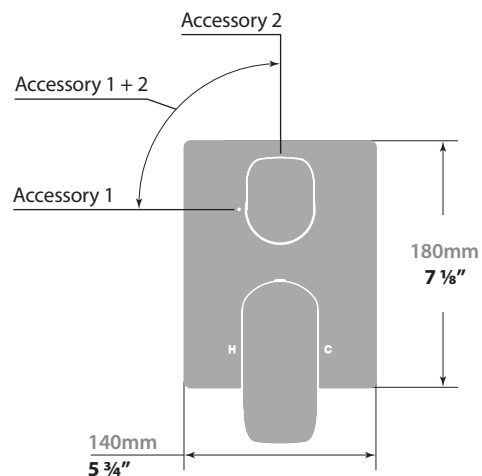
- Chrome (CC)

#### Codes / Standards

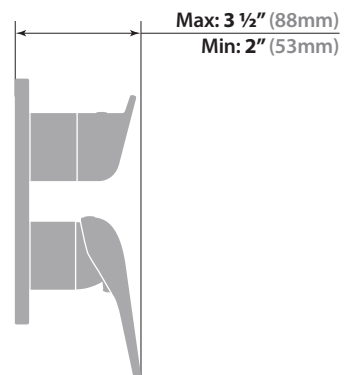
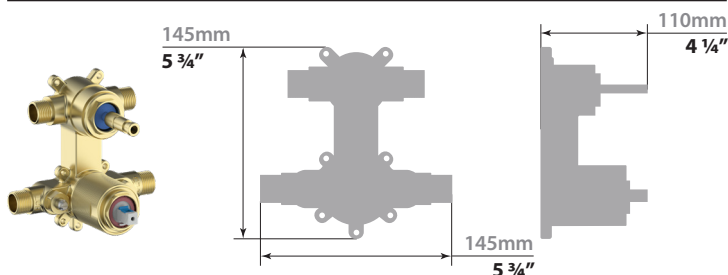
- Uniform Plumbing Code (UPC®)
- ASME A112.18.1/CSA B125.1
- ASSE 1016

#### Warranty

- Limited lifetime warranty (see full warranty for details)



#### VE.210 - 2-Way Pressure Balanced Valve



### 2-WAY PRESSURE BALANCED VALVE

VE.210

#### Description

- Valve with pressure balanced cartridge and 2-way diverter
- ½" male NPT connections

#### Flow Rate

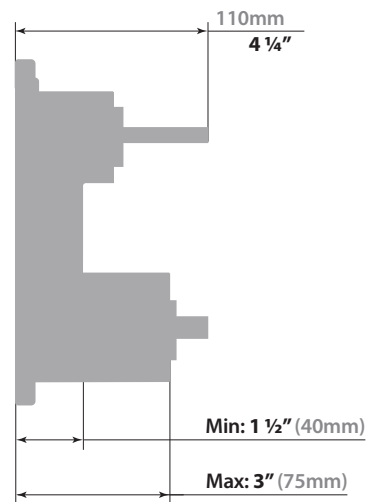
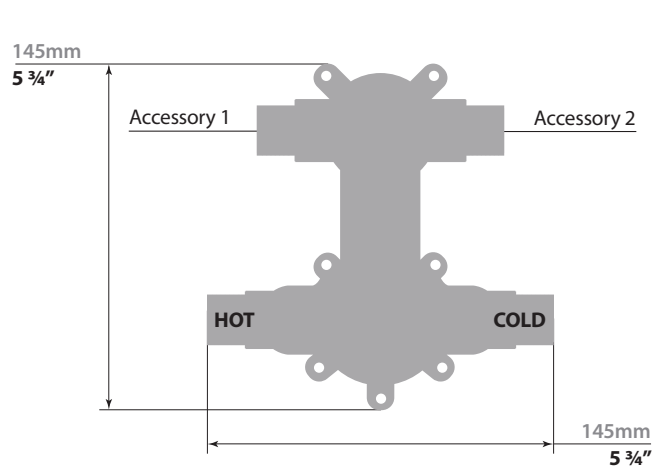
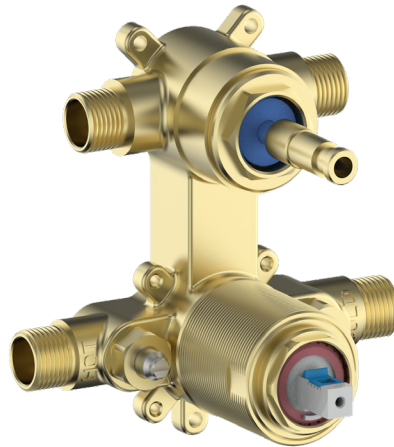
- 5.5 gpm | 21 lpm | 60 psi

#### Cartridge

- CE.1440.PB cartridge
- CE.1403.PD diverter

#### Warranty

- Limited lifetime warranty (see full warranty for more details)



# ANTAU

## SLIDING SHOWER BAR WITH HANDFLOWER

BH.04.03.CC

### Description

- SB.04.27 - 27½" sliding shower bar
- HE.150 - 59" hose
- HS.04.03 - 4-function hand shower

### Flow Rate

- 2 gpm | 7.6 lpm | 60 psi

### Available Finishes

- Chrome (CC)

### Codes / Standards

- Uniform Plumbing Code (UPC®)
- ASME A112.18.1/CSA B125.1
- ASSE 1016

### Warranty

- Limited lifetime warranty  
(see full warranty for details)



### SQUARE WALL SUPPLY ELBOW

EC.01.01

#### Description

- Square brass elbow connector with 1/2" female NPT connection

#### Available Finishes

- Chrome (CC)
- Brushed Nickel (BN)
- Matte Black (MB)

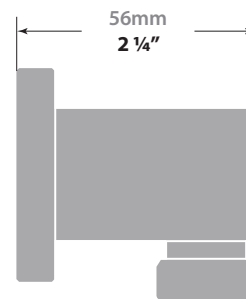
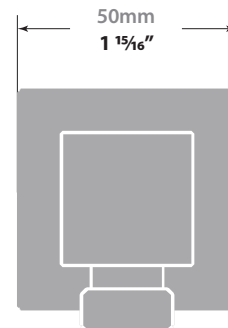
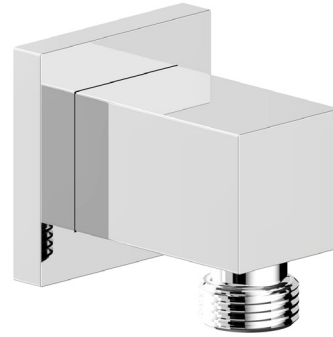
(Model Pictured: Chrome)

#### Codes / Standards

- Uniform Plumbing Code (UPC®)
- ASME A112.18.1/CSA B125.1

#### Warranty

- Limited lifetime warranty (see full warranty for details)



### ANTAU TUB SPOUT

TS.04.07.CC

#### Description

- Brass tub spout with 1/2" female NPT connection

#### Available Finishes

- Chrome (CC)

#### Codes / Standards

- Uniform Plumbing Code (UPC®)
- ASME A112.18.1/CSA B125.1
- ASSE 1016

#### Warranty

- Limited lifetime warranty (see full warranty for details)

