

ANTAU

2-WAY THERMOSTATIC SHOWER SYSTEM

SET.AU.220.500.CC

Components Included

- **VE.220** - Thermostatic valve with integrated 2-way diverter
- **TM.AU.220.CC** - Trim for 2-way thermostatic valve
- **BH.04.03.CC** - 27½" sliding shower bar with hose and 4-function hand shower (HS.04.03.CC)
- **EC.01.01.CC** - Square brass elbow connector with ½" female NPT connection
- **TS.04.07.CC** - 7½" brass tub spout with ½" female NPT connection

Available Finishes

- Chrome

Codes / Standards

- Uniform Plumbing Code (UPC®)
- ASME A112.18.1/CSA B125.1
- ASSE 1016

Warranty

- Valve & cartridge - Limited lifetime warranty
- Components - Limited lifetime warranty (see full warranty for details)



ANTAU

2-WAY THERMOSTATIC VALVE & TRIM

VT.AU.220.CC

Description

- VE.220 - 1/2" thermostatic valve with 2-way diverter
- TM.AU.220.CC - Trim for 2-way thermostatic valve
- 3 positions

Flow Rate

- 6.1 gpm | 23 lpm | 60 psi

Cartridge

- CE.1401.TT - cartridge
- CE.1710.DR - diverter

Available Finishes

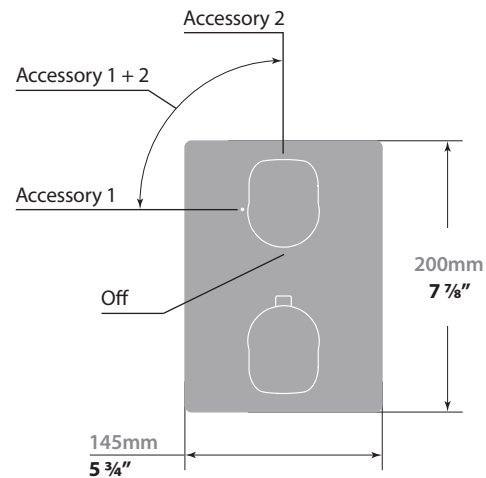
- Chrome (CC)

Codes / Standards

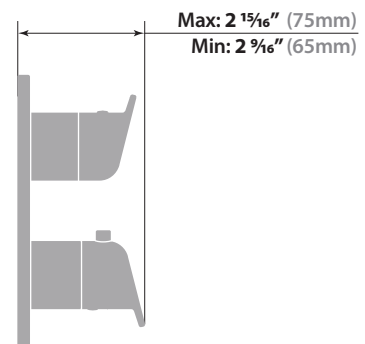
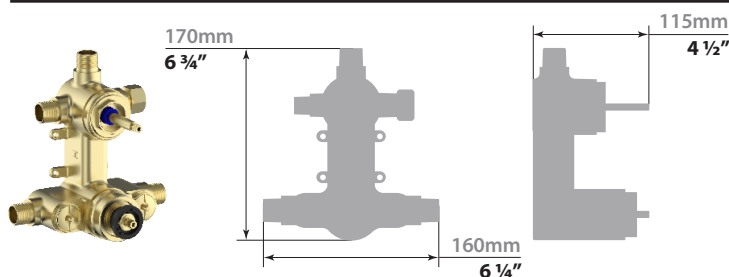
- Uniform Plumbing Code (UPC®)
- ASME A112.18.1/CSA B125.1
- ASSE 1016

Warranty

- Limited lifetime warranty (see full warranty for details)



VE.220 - 2-Way Thermostatic Valve



2-WAY THERMOSTATIC VALVE

VE.220

Description

- Valve with thermostatic cartridge and 2-way diverter
- ½" male NPT connections

Flow Rate

- 6.1 gpm | 23 lpm | 60 psi

Cartridge

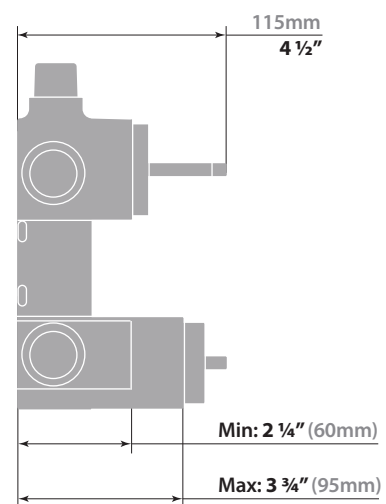
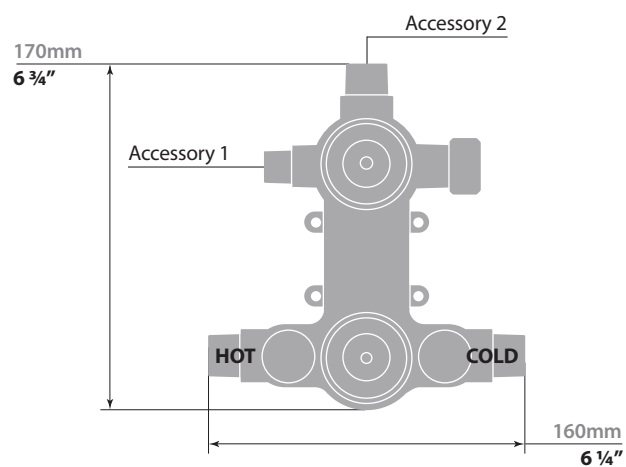
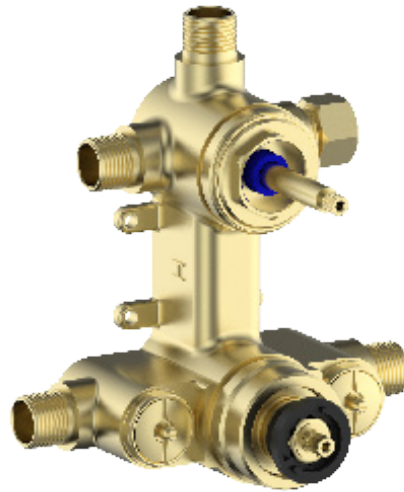
- CE.1401.TT cartridge
- CE.1710.DR diverter

Codes / Standards

- Uniform Plumbing Code (UPC®)
- ASME A112.18.1/CSA B125.1
- ASSE 1016

Warranty

- Limited lifetime warranty
(see full warranty for more details)



ANTAU

SLIDING SHOWER BAR WITH HANDFLOWER

BH.04.03.CC

Description

- SB.04.27 - 27½" sliding shower bar
- HE.150 - 59" hose
- HS.04.03 - 4-function hand shower

Flow Rate

- 2 gpm | 7.6 lpm | 60 psi

Available Finishes

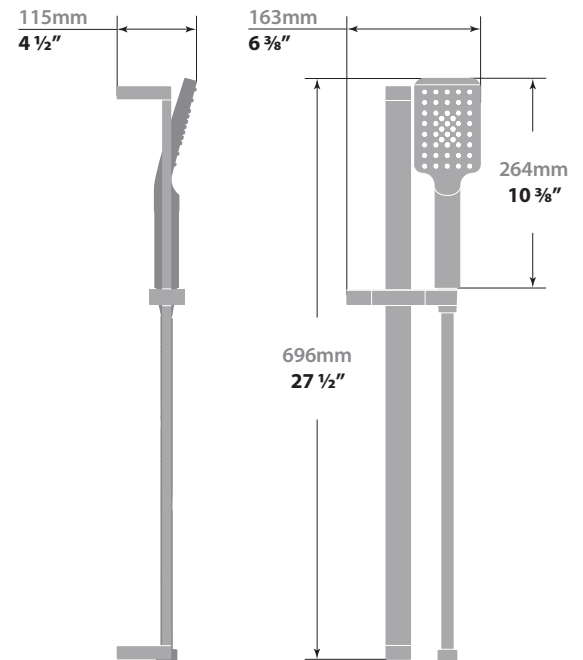
- Chrome (CC)

Codes / Standards

- Uniform Plumbing Code (UPC®)
- ASME A112.18.1/CSA B125.1
- ASSE 1016

Warranty

- Limited lifetime warranty
(see full warranty for details)



SQUARE WALL SUPPLY ELBOW

EC.01.01

Description

- Square brass elbow connector with ½" female NPT connection

Available Finishes

- Chrome (CC)
- Brushed Nickel (BN)
- Matte Black (MB)

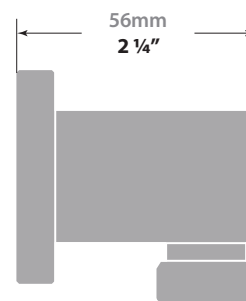
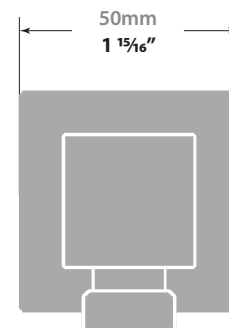
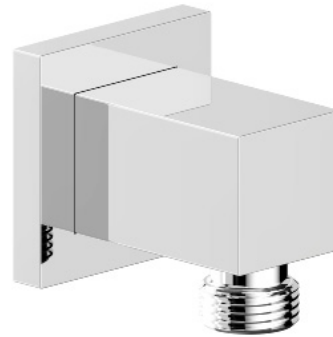
(Model Pictured: Chrome)

Codes / Standards

- Uniform Plumbing Code (UPC®)
- ASME A112.18.1/CSA B125.1

Warranty

- Limited lifetime warranty (see full warranty for details)



ANTAU TUB SPOUT

TS.04.07.CC

Description

- Brass tub spout with 1/2" female NPT connection

Available Finishes

- Chrome (CC)

Codes / Standards

- Uniform Plumbing Code (UPC®)
- ASME A112.18.1/CSA B125.1
- ASSE 1016

Warranty

- Limited lifetime warranty (see full warranty for details)

