

LUSTEN

2-WAY THERMOSTATIC SHOWER SYSTEM

SET.LN.220.210

Components Included

- **VE.220** - Thermostatic valve with integrated 2-way diverter
- **TM.LN.220** - Trim for 2-way thermostatic valve
- **SH.04.0812.CC** - 8" x 12" rectangular stainless steel shower head
- **WA.02.16** - 16" wall mount shower arm with 1/2" female NPT connection
- **BH.05.03** - 31" sliding shower bar with hose and 4 function hand shower (HS.04.03.CC)
- **EC.02.01** - Round brass elbow connector with 1/2" female NPT connection

Available Finishes

- Chrome (CC)
- Glossy White / Chrome (CW)

(Model Pictured: Chrome)

Codes / Standards

- Uniform Plumbing Code (UPC®)
- ASME A112.18.1/CSA B125.1
- ASSE 1016

Warranty

- Valve & cartridge - Limited lifetime warranty
- Components - Limited lifetime warranty (see full warranty for details)



LUSTEN

2-WAY THERMOSTATIC VALVE & TRIM

VT.LN.220

Description

- **VE.220** - 1/2" thermostatic valve with 2-way diverter
- **TM.LN.220** - Trim for 2-way thermostatic valve
- 3 positions

Flow Rate

- 6.2 gpm | 23 lpm | 60 psi

Cartridge

- CE.1401.TT - cartridge
- CE.1710.DR - diverter

Available Finishes

- Chrome (CC)
- Glossy White / Chrome (CW)

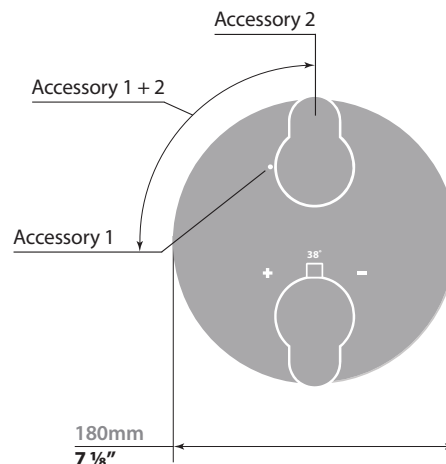
(Model Pictured: Chrome)

Codes / Standards

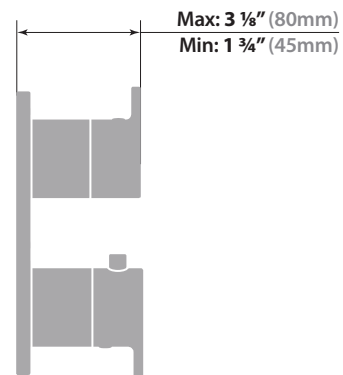
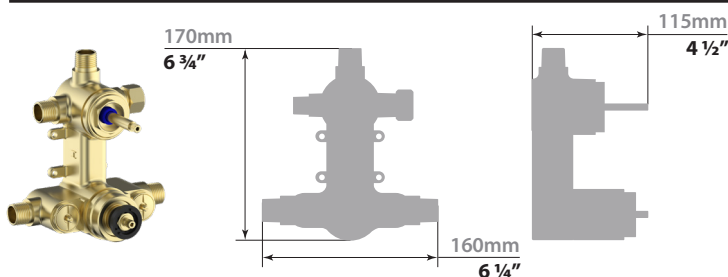
- Uniform Plumbing Code (UPC®)
- ASME A112.18.1/CSA B125.1
- ASSE 1016

Warranty

- Limited lifetime warranty (see full warranty for details)



VE.220 - 2-Way Thermostatic Valve



2-WAY THERMOSTATIC VALVE

VE.220

Description

- Valve with thermostatic cartridge and 2-way diverter
- ½" male NPT connections

Flow Rate

- 6.1 gpm | 23 lpm | 60 psi

Cartridge

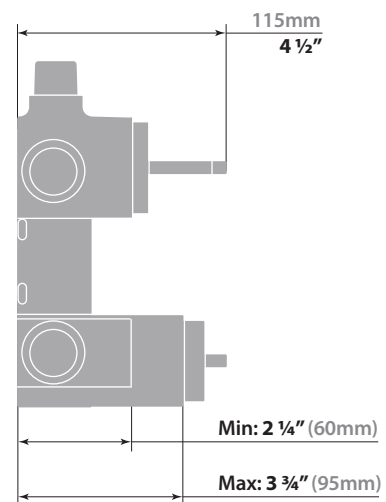
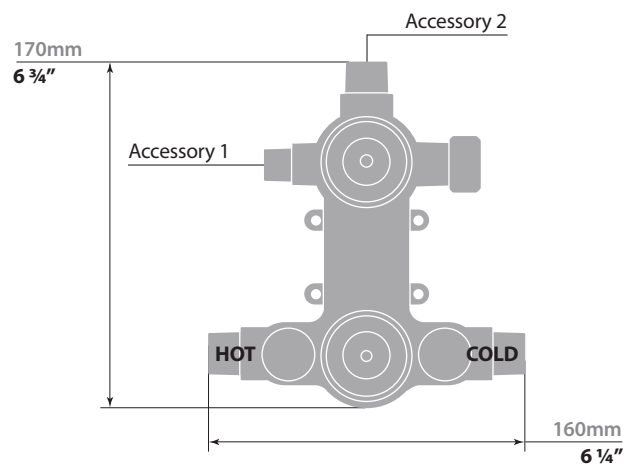
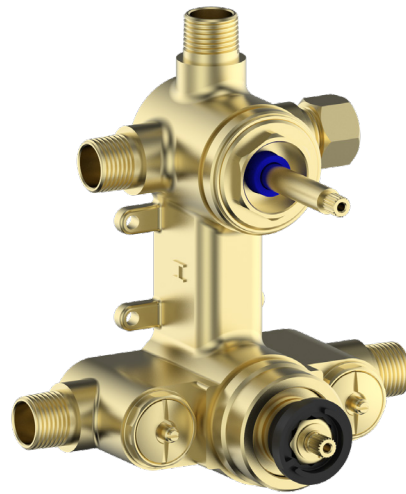
- CE.1401.TT cartridge
- CE.1710.DR diverter

Codes / Standards

- Uniform Plumbing Code (UPC®)
- ASME A112.18.1/CSA B125.1
- ASSE 1016

Warranty

- Limited lifetime warranty
(see full warranty for more details)



16" WALL ARM

WA.02.16

Description

- 16" wall mount shower arm with 1/2" female NPT connection
- Round pipe with round escutcheon plate

Available Finishes

- Chrome (CC)
- Brushed Nickel (BN)
- Glossy White / Chrome (CW)
- Matte Black (MB)

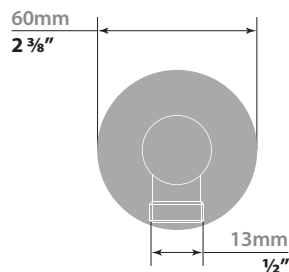
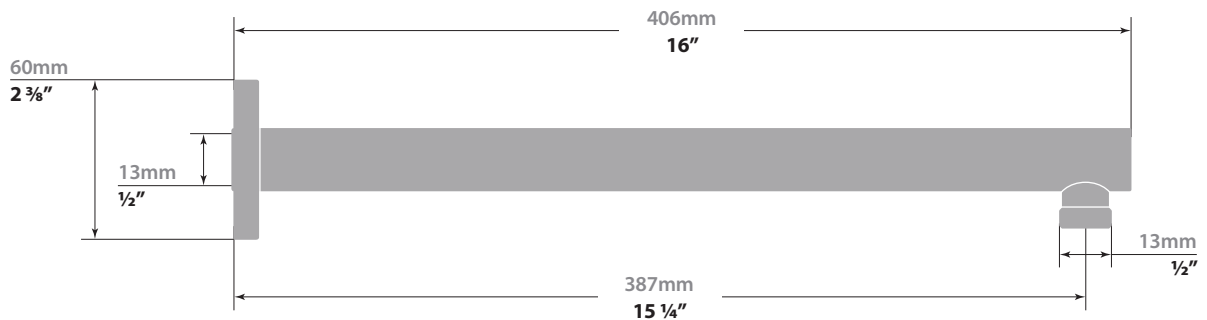
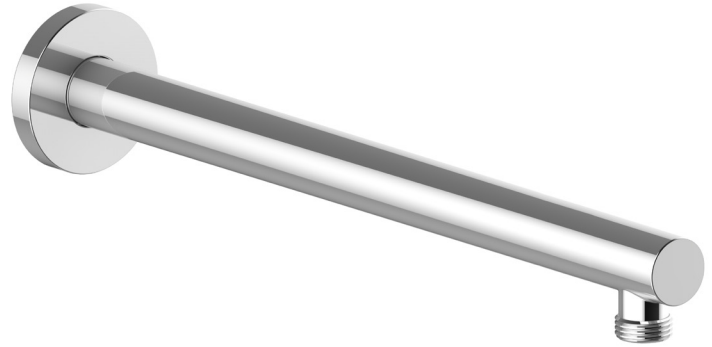
(Model Pictured: Chrome)

Codes / Standards

- Uniform Plumbing Code (UPC®)
- ASME A112.18.1/CSA B125.1

Warranty

- Limited lifetime warranty (see full warranty for details)



8" x 12" RECTANGULAR SHOWER HEAD

SH.04.0812.CC

Description

- 8" x 12" rectangular stainless steel shower head
- Anti-limescale technology

Flow Rate

- 2 gpm | 7.6 lpm | 60 psi

Available Finishes

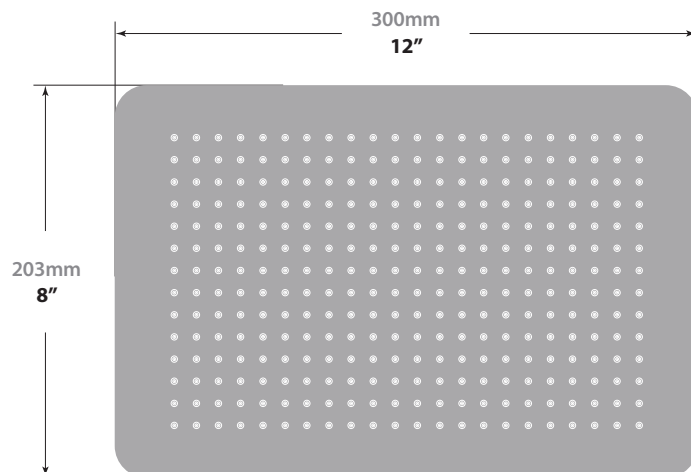
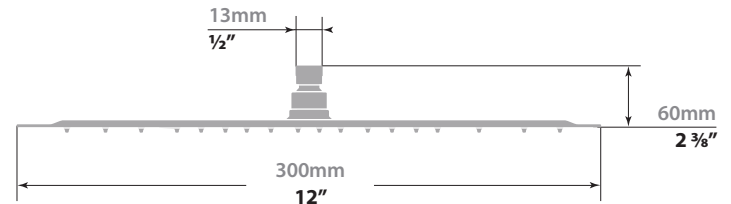
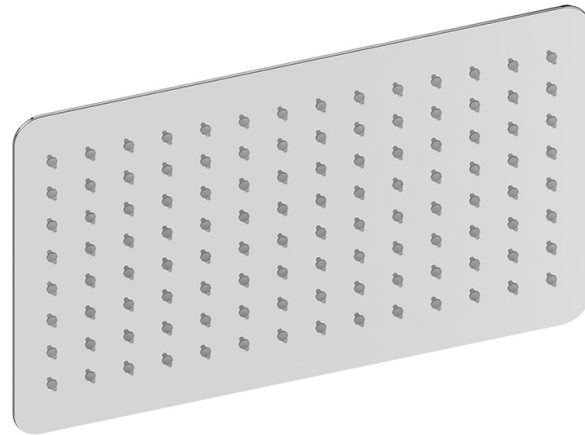
- Chrome (CC)

Codes / Standards

- Uniform Plumbing Code (UPC®)
- ASME A112.18.1/CSA B125.1

Warranty

- Limited lifetime warranty (see full warranty for details)



LUSTEN

SLIDING SHOWER BAR WITH HANDSHOWER

BH.05.03

Description

- **SB.05.31** - 31" sliding shower bar
- **HE.150** - 59" hose
- **HS.04.03** - 4-function hand shower

Flow Rate

- 2 gpm | 7.6 lpm | 60 psi

Available Finishes

- Chrome (CC)
- Chrome / Glossy White (CW)

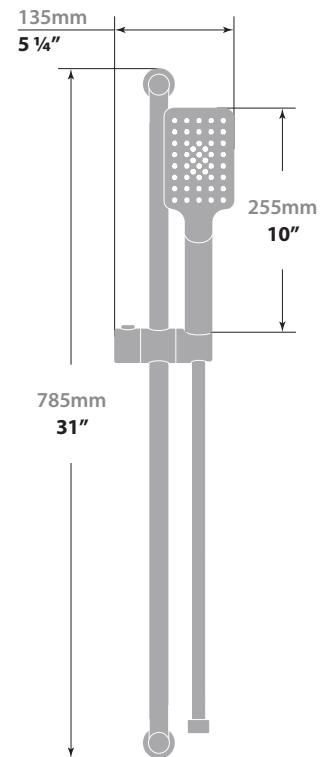
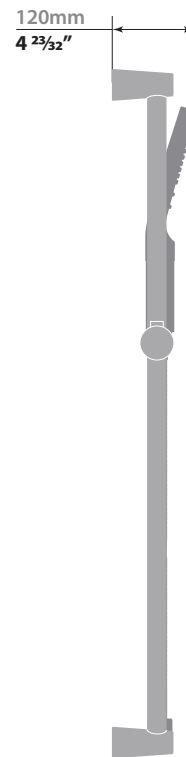
(Model Pictured: Chrome)

Codes / Standards

- Uniform Plumbing Code (UPC®)
- ASME A112.18.1/CSA B125.1
- ASSE 1016

Warranty

- Limited lifetime warranty
(see full warranty for details)



ROUND WALL SUPPLY ELBOW

EC.02.01

Description

- Round brass elbow connector with 1/2" female NPT connection

Available Finishes

- Chrome (CC)
- Brushed Nickel (BN)
- Glossy White / Chrome (CW)
- Matte Black (MB)

(Model Pictured: Chrome)

Codes / Standards

- Uniform Plumbing Code (UPC®)
- ASME A112.18.1/CSA B125.1

Warranty

- Limited lifetime warranty (see full warranty for details)

