

# WÖRGL

## 3-WAY THERMOSTATIC SHOWER SYSTEM

SET.WL.320.710

### Components Included

---

- **VT.WL.320** - Thermostatic valve (VE.320) and trim with ceramic disk cartridge and 3-way diverter
- **SH.02.0808** - 8" round stainless steel shower head
- **WA.02.16** - 16" wall mount shower arm with ½" female NPT connection
- **BH.02.03** - 31" sliding shower bar with hose and 3 function hand shower (HS.02.03)
- **EC.02.01** - Round brass elbow connector with ½" female NPT connection
- **BJ.02.01.CC** - Round built-in body jet with ½" female NPT connection (x4)

### Available Finishes

---

- Chrome (CC)
- Brushed Nickel (BN)
- Matte Black (MB)
- Brushed Gold (BG)

### Codes / Standards

---

- Uniform Plumbing Code (UPC®)
- ASME A112.18.1/CSA B125.1
- ASSE 1016

### Warranty

---

- Valve & cartridge - limited lifetime warranty
- Components - 3 year limited warranty  
(see full warranty for details)



### WÖRGL

### 3-WAY THERMOSTATIC VALVE & TRIM

VT.WL.320

#### Description

- VE.320 thermostatic valve with ceramic disk cartridge and 3-way diverter
- 5 positions

#### Flow Rate

- 8.4 gpm | 31.9 lpm | 80 psi

#### Cartridge

- CE.1401.TT - cartridge
- CE.1409.DR - diverter

#### Available Finishes

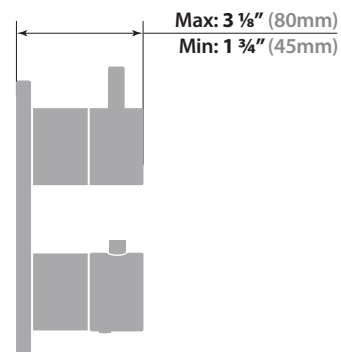
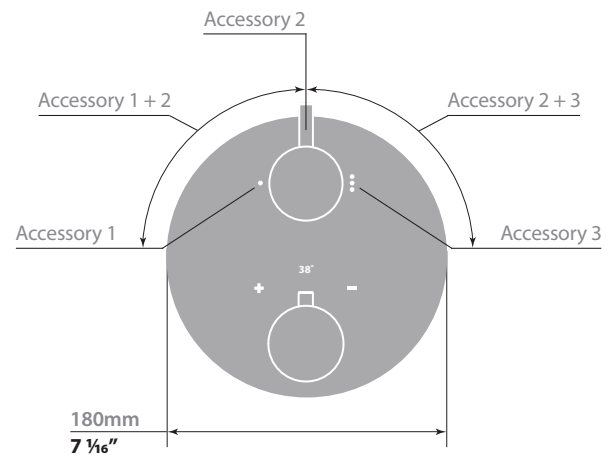
- Chrome (CC)
- Brushed Nickel (BN)
- Matte Black (MB)
- Brushed Gold (BG)

#### Codes / Standards

- Uniform Plumbing Code (UPC®)
- ASME A112.18.1/CSA B125.1
- ASSE 1016

#### Warranty

- Limited lifetime warranty (see full warranty for details)



### 16" WALL ARM

WA.02.16

#### Description

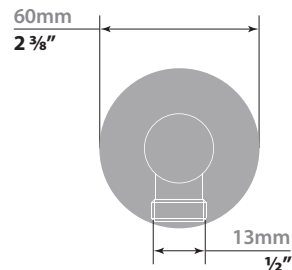
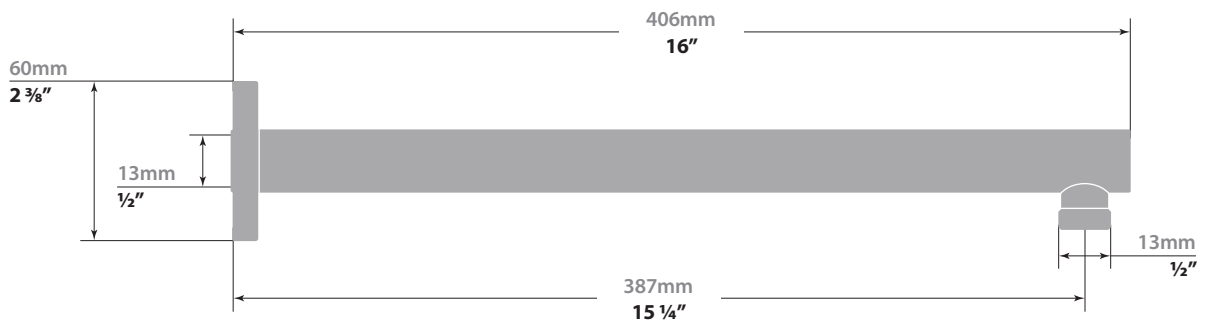
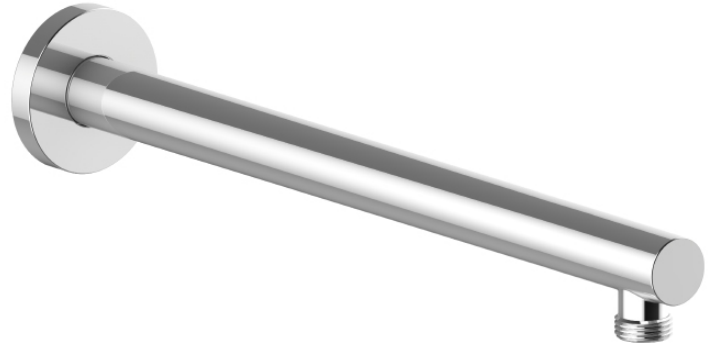
- 16" wall mount shower arm with 1/2" female NPT connection
- Round pipe with round plate

#### Available Finishes

- Chrome (CC)
- Brushed Nickel (BN)
- Glossy White / Chrome (CW)
- Matte Black (MB)
- Brushed Gold (BG)

#### Warranty

- 3 year limited warranty (see full warranty for details)



### 8" ROUND SHOWER HEAD

SH.02.0808

#### Description

- 8" round stainless steel shower head
- Anti-limestone technology

#### Flow Rate

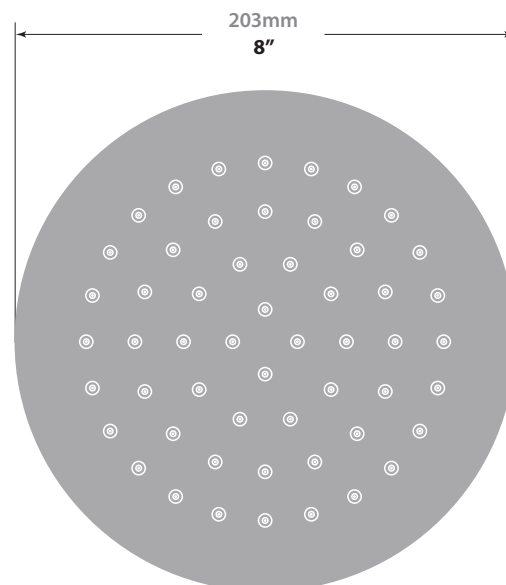
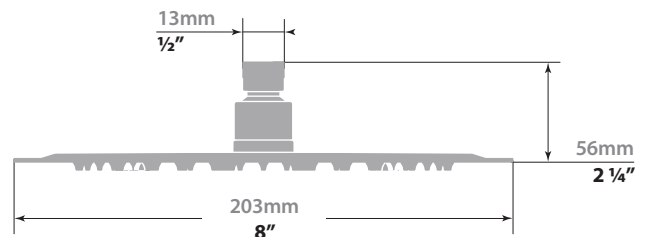
- 2.0 gpm | 7.6 lpm | 80 psi

#### Available Finishes

- Chrome (CC)
- Brushed Nickel (BN)
- Matte Black (MB)
- Brushed Gold (BG)

#### Warranty

- 3 year limited warranty  
(see full warranty for details)



# WÖRGL

## SLIDING SHOWER BAR

BH.02.03

### Description

- Sliding shower bar with hose and 3 function hand shower (HS.02.03)

### Flow Rate

- 2.0 gpm | 7.6 lpm | 80 psi

### Available Finishes

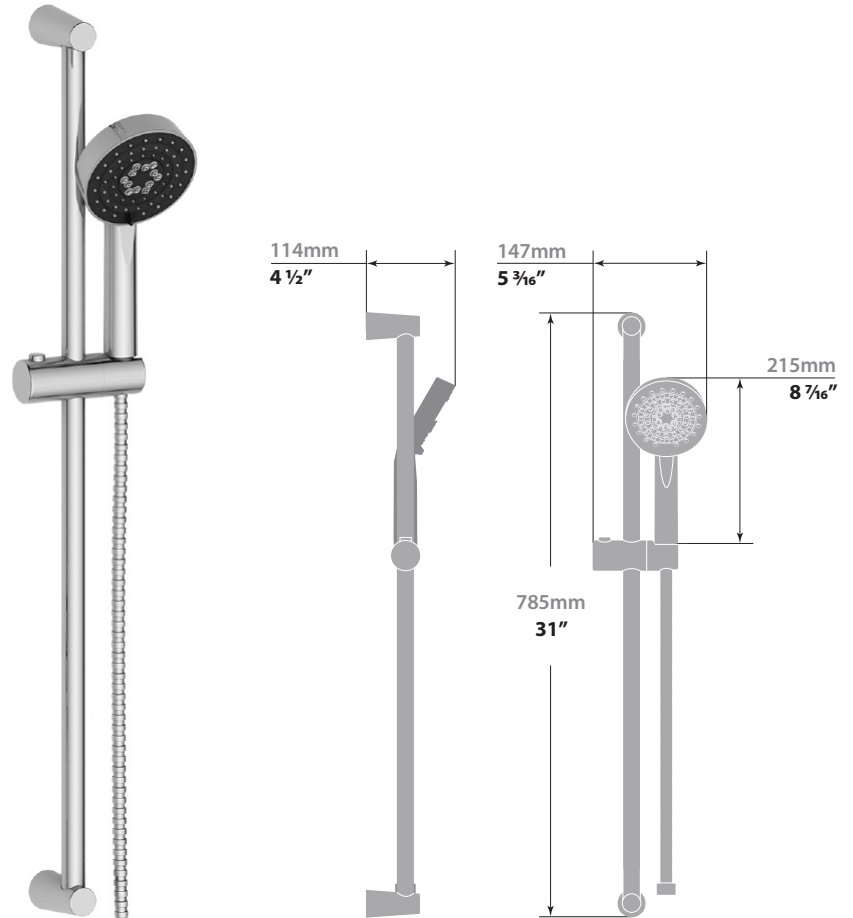
- Chrome (CC)
- Brushed Nickel (BN)
- Matte Black (MB)
- Brushed Gold (BG)

### Codes / Standards

- Uniform Plumbing Code (UPC®)
- ASME A112.18.1/CSA B125.1
- ASSE 1016

### Warranty

- 3 year limited warranty  
(see full warranty for details)



### ROUND WALL SUPPLY ELBOW

EC.02.01

#### Description

---

- Round brass elbow connector with 1/2" female NPT connection

#### Available Finishes

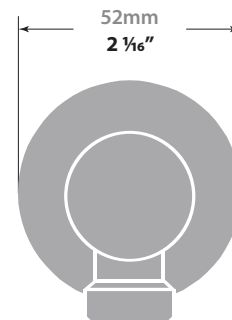
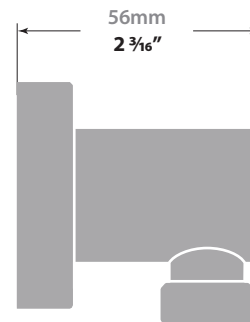
---

- Chrome (CC)
- Brushed Nickel (BN)
- Glossy White / Chrome (CW)
- Matte Black (MB)
- Brushed Gold (BG)

#### Warranty

---

- 3 year limited warranty (see full warranty for details)



### ROUND IN-WALL JET

BJ.0201

#### Description

- Built-in body jet with 1/2" female NPT connection

#### Flow Rate

- 2.0 gpm | 7.6 lpm | 80 psi

#### Available Finishes

- Chrome (CC)
- Brushed Nickel (BN)
- Matte Black (MB)
- Polished Nickel (PN)
- Brushed Gold (BG)

(Model Pictured: Chrome)

#### Warranty

- 3 year limited warranty (see full warranty for details)

