

KAPFENBERG 3-WAY THERMOSTATIC SHOWER SYSTEM

SET.AP.320.320

Components Included

- **VE.320** - Thermostatic valve with integrated 3-way diverter
- **TM.KG.320** - Trim for 3-way thermostatic valve
- **SH.41.1010** - 10" square shower head
- **WA.41.16** - 16" wall mount shower arm with ½" female NPT connection
- **BH.01.03** - 31½" sliding shower bar with hose and 4 function hand shower (HS.04.03)
- **EC.41.01** - Square elbow connector with ½" female NPT connection
- **TS.01.07** - 7½" brass tub spout with ½" female NPT connection

Available Finishes

- Chrome (CC)
- Matte Black (MB)
- Brushed Gold (BG)

Codes / Standards

- Uniform Plumbing Code (UPC®)
- ASME A112.18.1/CSA B125.1
- ASSE 1016

Warranty

- Valve & cartridge - Limited lifetime warranty
- Components - Limited lifetime warranty (see full warranty for details)

Please note that this shower kit is also available with a 4" ceiling arm (**CA.01.04**) & 8" ceiling arm (**CA.01.08**)

4" ceiling arm Configuration - **SET.AP.320.324**

8" ceiling arm Configuration - **SET.AP.320.328**



KAPFENBERG 3-WAY THERMOSTATIC VALVE & TRIM

VT.KG.320

Description

- **VE.320** - 1/2" thermostatic valve with 3-way diverter
- **TM.KG.320** - Trim for 3-way thermostatic valve
- 5 positions

Flow Rate

- 6.2 gpm | 23.4 lpm | 60 psi

Cartridge

- CE.1401.TT - cartridge
- CE.1408.DR - diverter

Available Finishes

- Chrome (CC)
- Brushed Nickel (BN)
- Matte Black (MB)
- Brushed Gold (BG)

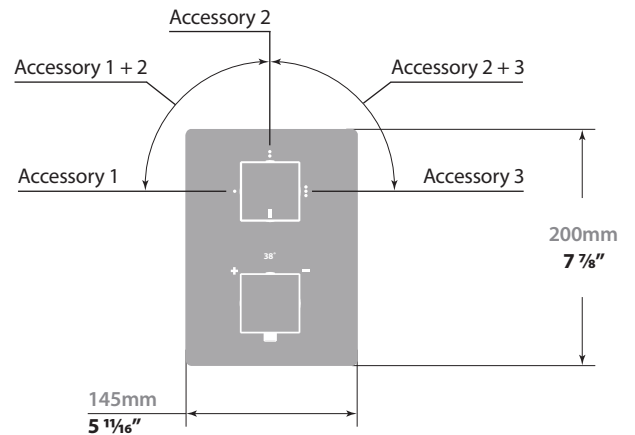
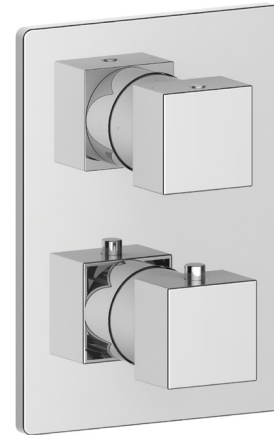
(Model Pictured: Chrome)

Codes / Standards

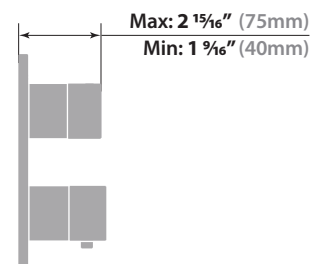
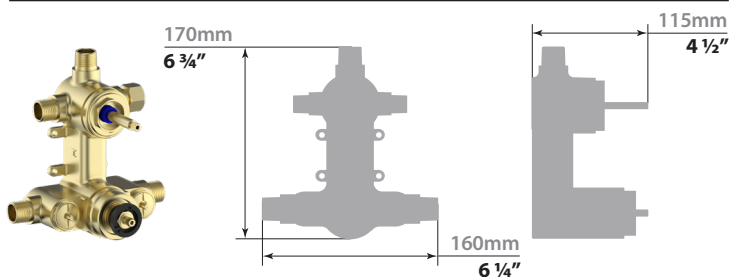
- Uniform Plumbing Code (UPC®)
- ASME A112.18.1/CSA B125.1
- ASSE 1016

Warranty

- Limited lifetime warranty
(see full warranty for details)



VE.320 - 3-Way Thermostatic Valve



3-WAY THERMOSTATIC VALVE

VE.320

Description

- Valve with thermostatic cartridge and 3-way diverter
- ½" male NPT connections

Flow Rate

- 6.2 gpm | 23.4 lpm | 60 psi

Cartridge

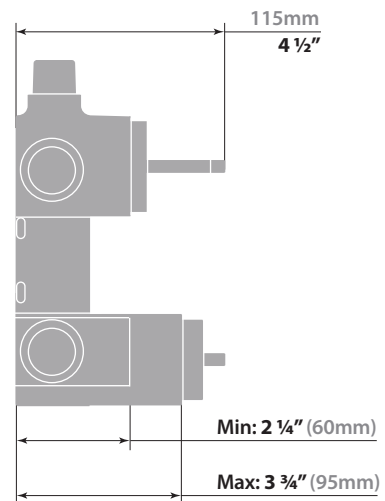
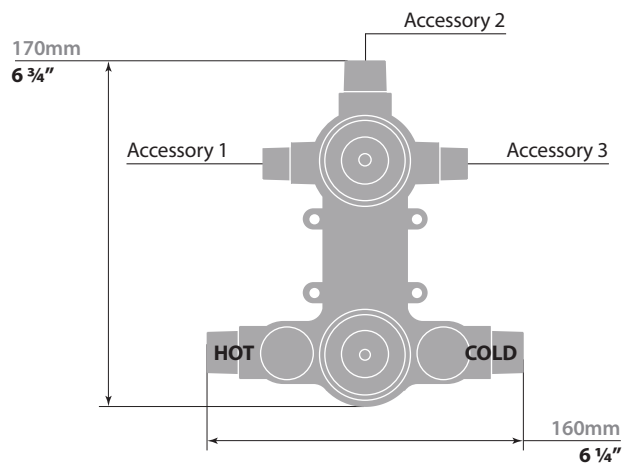
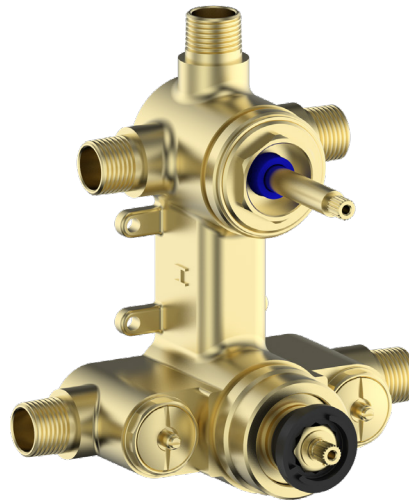
- CE.1401.TT cartridge
- CE.1408.DR diverter

Codes / Standards

- Uniform Plumbing Code (UPC®)
- ASME A112.18.1/CSA B125.1
- ASSE 1016

Warranty

- Limited lifetime warranty (see full warranty for more details)



16" WALL ARM

WA.41.16

Description

- 16" wall mount shower arm with 1/2" female NPT connection
- Round pipe with square escutcheon plate

Available Finishes

- Chrome (CC)
- Matte Black (MB)
- Brushed Gold (BG)

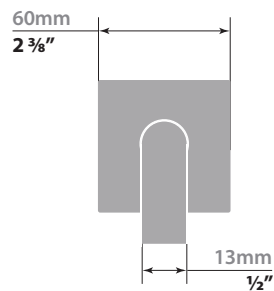
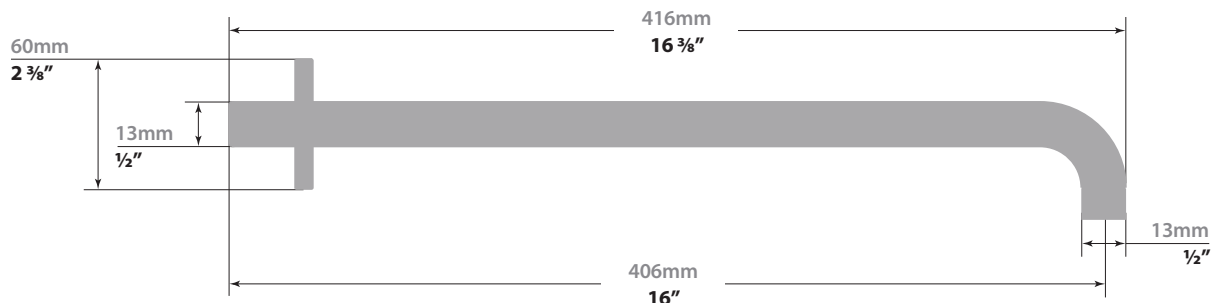
(Model Pictured: Chrome)

Codes / Standards

- Uniform Plumbing Code (UPC®)
- ASME A112.18.1/CSA B125.1

Warranty

- Limited lifetime warranty (see full warranty for details)



10" SQUARE SHOWER HEAD

SH.41.1010

Description

- 10" square shower head
- Anti-limescale technology

Flow Rate

- 2.2 gpm | 8.3 lpm | 60 psi

Available Finishes

- Chrome (CC)
- Brushed Nickel (BN)
- Matte Black (MB)
- Brushed Gold (BG)

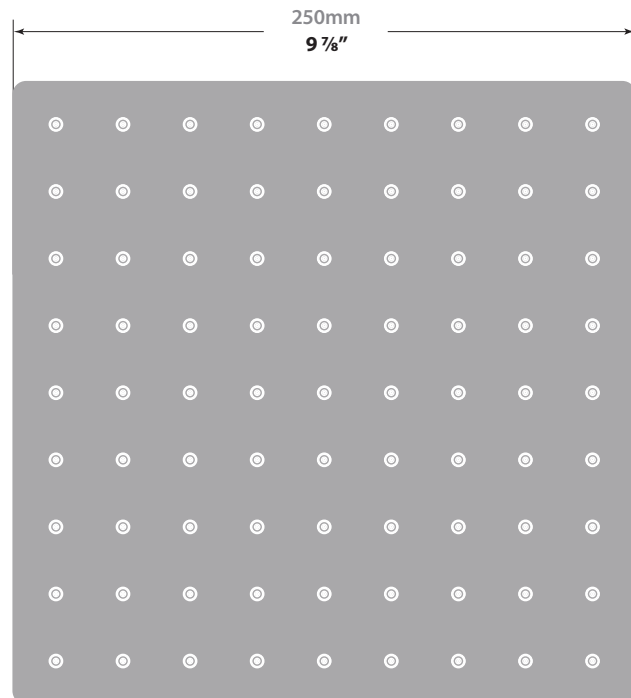
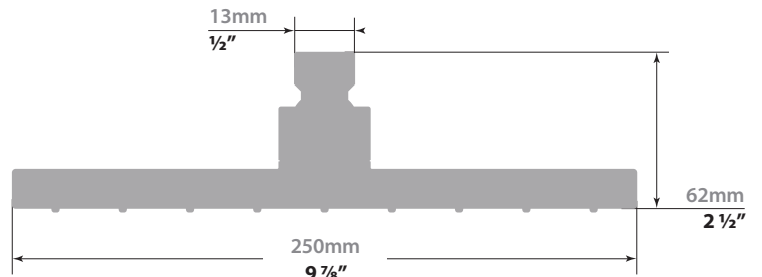
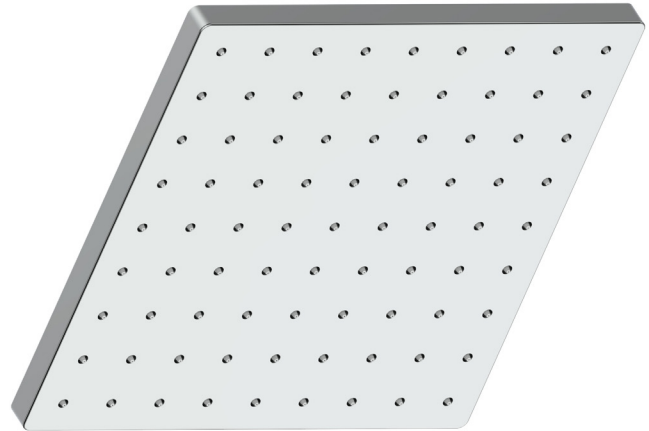
(Model Pictured: Chrome)

Codes / Standards

- Uniform Plumbing Code (UPC®)
- ASME A112.18.1/CSA B125.1

Warranty

- Limited lifetime warranty
(see full warranty for details)



KAPFENBERG

SLIDING SHOWER BAR WITH HANDSHOWER

BH.01.03

Description

- SB.01.31 - 31 ½" sliding shower bar
- HE.150 - 59" hose
- HS.04.03 - 4-function hand shower

Flow Rate

- 2 gpm | 7.6 lpm | 60 psi

Available Finishes

- Chrome (CC)
- Brushed Nickel (BN)
- Matte Black (MB)
- Brushed Gold (BG)

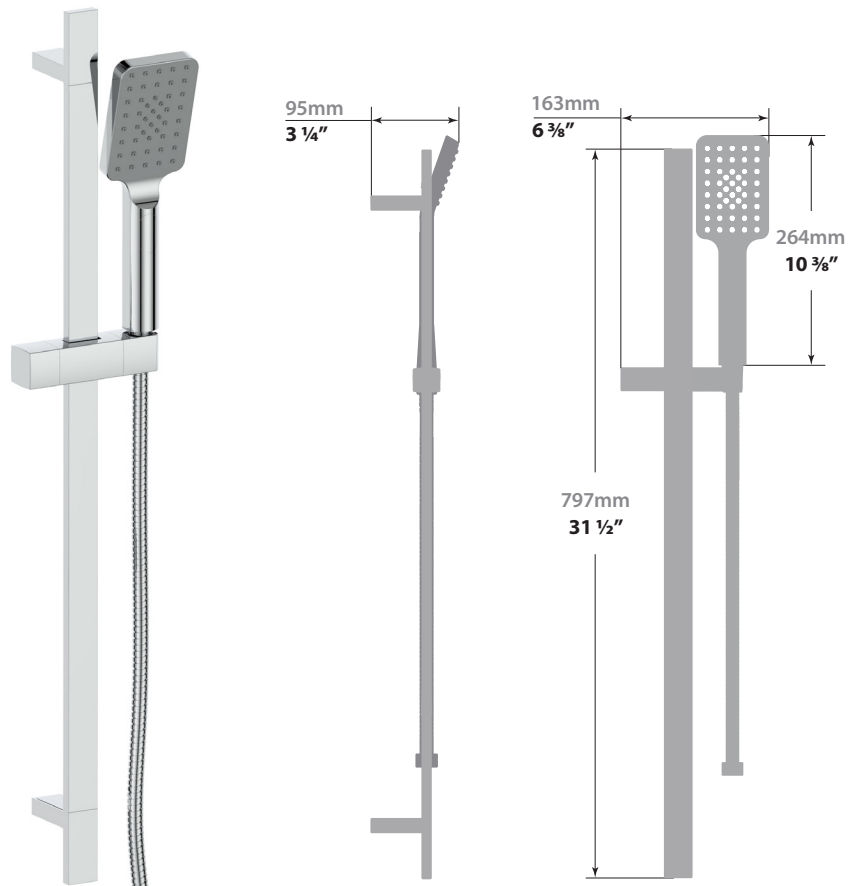
(Model Pictured: Chrome)

Codes / Standards

- Uniform Plumbing Code (UPC®)
- ASME A112.18.1/CSA B125.1
- ASSE 1016

Warranty

- Limited lifetime warranty
(see full warranty for details)



SQUARE WALL SUPPLY ELBOW

EC.41.01

Description

- Square elbow connector with 1/2" female NPT connection

Available Finishes

- Chrome (CC)
- Matte Black (MB)
- Brushed Gold (BG)

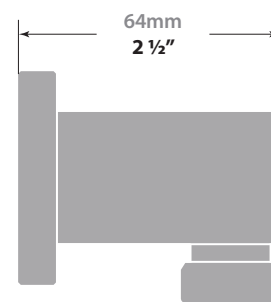
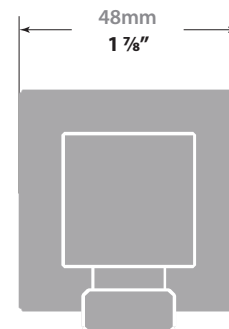
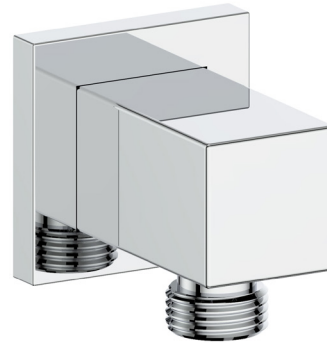
(Model Pictured: Chrome)

Codes / Standards

- Uniform Plumbing Code (UPC®)
- ASME A112.18.1/CSA B125.1

Warranty

- Limited lifetime warranty (see full warranty for details)



KAPFENBERG TUB SPOUT

TS.01.07

Description

- Brass tub spout with 1/2" female NPT connection

Available Finishes

- Chrome (CC)
- Brushed Nickel (BN)
- Matte Black (MB)
- Brushed Gold (BG)

(Model Pictured: Chrome)

Codes / Standards

- Uniform Plumbing Code (UPC®)
- ASME A112.18.1/CSA B125.1
- ASSE 1016

Warranty

- Limited lifetime warranty (see full warranty for details)

