

LUSTEN

WALL MOUNT TUB FILLER

BF.LN.2200.CC

Description

- Wall mount tub filler with 15" x 5½" face plate and hand shower
- Solid brass construction
- ½" female NPT connection

Flow Rate

- Handheld: 1.9 gpm | 7.3 lpm | 60 psi
- Tub Spout: 5.8 gpm | 22 lpm | 60 psi

Available Finishes

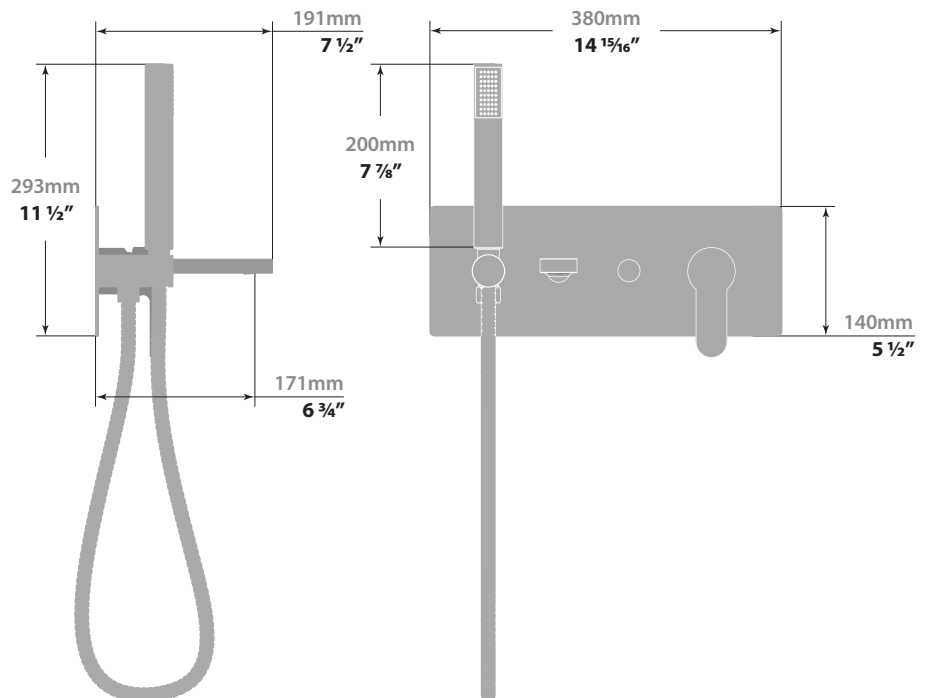
- Chrome (CC)

Codes / Standards

- Uniform Plumbing Code (UPC®)
- ASME A112.18.1/CSA B125.1
- ASSE 1016

Warranty

- Limited lifetime warranty against all manufacturing defects to the original consumer purchaser (see full warranty for more details)



ROUGH-IN FOR WALL MOUNT TUB FILLER WITH ONE HANDLE

VE.2200

Description

- Solid brass construction
- ½" female NPT connection
- Full brass 15" x 5½" face plate

Flow Rate

- Handheld: 1.9 gpm / 7.2 lpm / 60 psi
- Tub spout: 5.8 gpm / 22 lpm / 60 psi

Cartridge

- CE.1440.PB - Ceramic disk cartridge
- CE.1922.DR - Ceramic diverter cartridge

Codes / Standards

- Uniform Plumbing Code (UPC®)
- ASME A112.18.1/CSA B125.1

Warranty

- Limited lifetime warranty against all manufacturing defects to the original consumer purchaser (see full warranty for more details)

