

# LUSTEN

## 3-WAY PRESSURE BALANCED VALVE & TRIM

VT.LN.310.CC

### Description

- VE.310 pressure balanced valve with ceramic disk cartridge and 3-way diverter
- 4 positions

### Flow Rate

- 6.4 gpm | 24.3 lpm | 80 psi

### Cartridge

- CE.1440.PB cartridge
- CE.1702.DR diverter

### Available Finishes

- Chrome (CC)
- Glossy White / Chrome (CW)

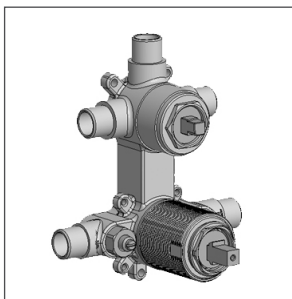
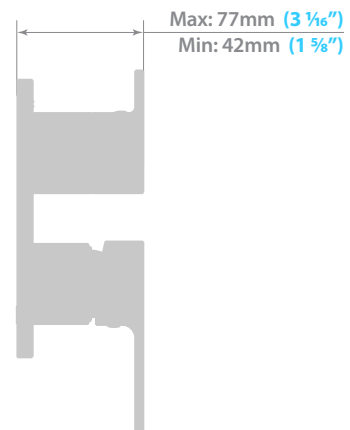
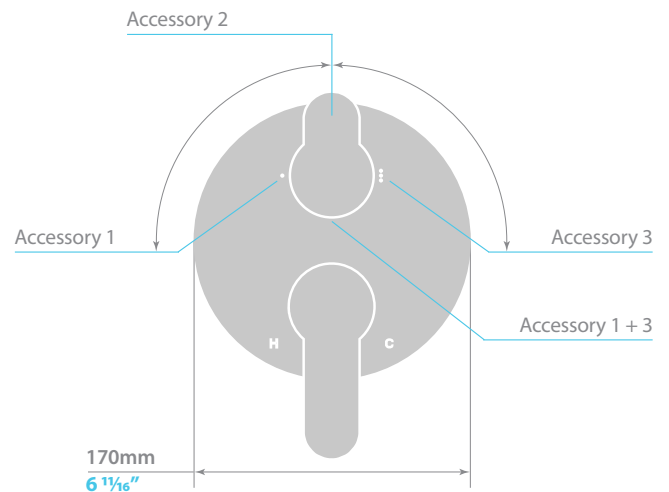
(Model Pictured: Chrome)

### Codes / Standards

- Uniform Plumbing Code (UPC®)
- ASME A112.18.1/CSA B125.1
- ASSE 1016

### Warranty

- Limited lifetime warranty (see full warranty for details)



VE.310 - 3-Way Pressure Balanced Valve