

# WELS

## 1-WAY PRESSURE BALANCED SHOWER SYSTEM

SET.WS.110.020

### Components Included

---

- **VE.110** - Pressure balanced valve without diverter
- **TM.WL.110.CC** - Trim for 1-way pressure balanced valve
- **HA.03.04.CC** - Shower head with 5 functions and 6" wall mount arm
- **TS.42.07** - Slip-on brass tub spout with diverter

### Available Finishes

---

- Chrome (CC)

### Codes / Standards

---

- Uniform Plumbing Code (UPC®)
- ASME A112.18.1/CSA B125.1
- ASSE 1016

### Warranty

---

- Limited lifetime warranty  
(see full warranty for details)



### WELS PRESSURE BALANCED VALVE & TRIM

VT.WS.110.CC

#### Description

- VE.110 - 1/2" pressure balanced valve
- TM.WS.110.CC - Trim for 1/2" pressure balanced valve
- 1 position

#### Flow Rate

- 5.5 gpm | 21 lpm | 60 psi

#### Cartridge

- CE.1440.PB - cartridge

#### Available Finishes

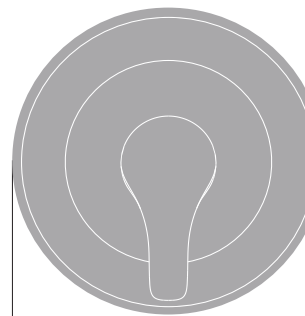
- Chrome (CC)

#### Codes / Standards

- Uniform Plumbing Code (UPC®)
- ASME A112.18.1/CSA B125.1
- ASSE 1016

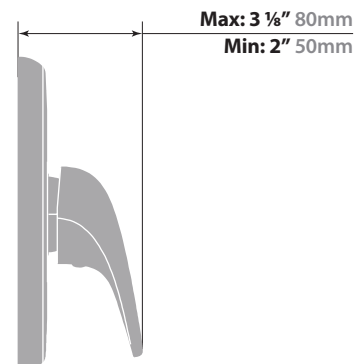
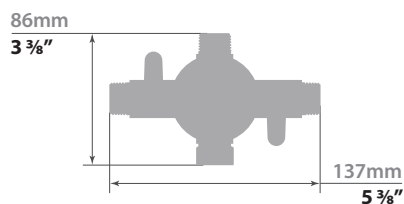
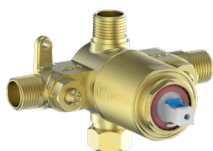
#### Warranty

- Limited lifetime warranty (see full warranty for details)



173mm  
6 3/4"

#### VE.110 - Pressure Balanced Valve Without Diverter



Max: 3 1/8" 80mm  
Min: 2" 50mm

### PRESSURE BALANCED VALVE WITHOUT DIVERTER

VE.110

#### Description

- Valve with pressure balanced cartridge
- ½" male NPT connections

#### Flow Rate

- 5.5 gpm | 21 lpm | 60 psi

#### Cartridge

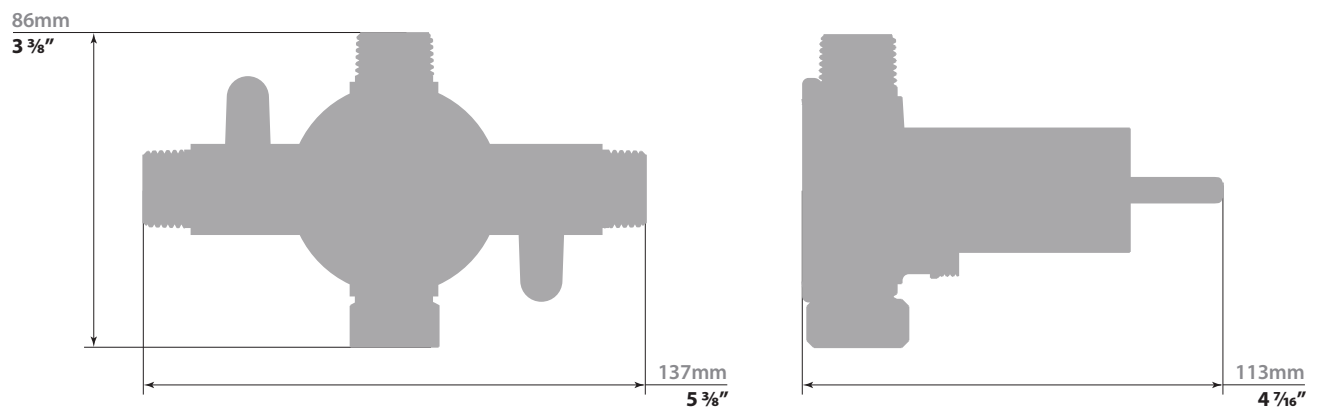
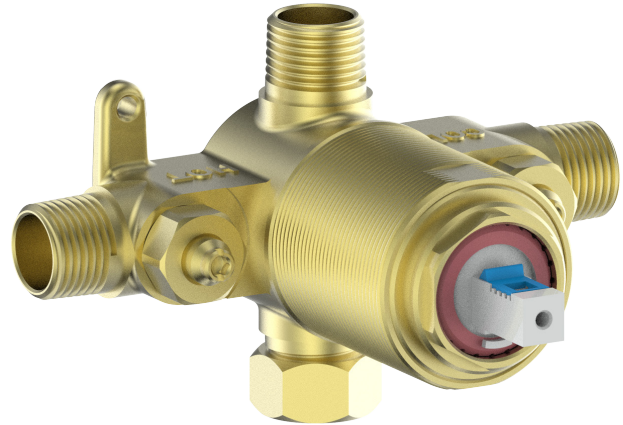
- CE.1440.PB cartridge

#### Codes / Standards

- Uniform Plumbing Code (UPC®)
- ASME A112.18.1/CSA B125.1
- ASSE 1016

#### Warranty

- Limited lifetime warranty  
(see full warranty for more details)



### SHOWER HEAD AND 6" WALL ARM

HA.03.04.CC

#### Description

- Shower head with 5 functions
- 6" wall mount arm with 1/2" female NPT connection
- Round pipe with round escutcheon plate

#### Available Finishes

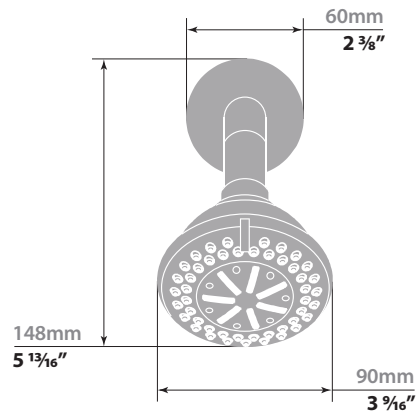
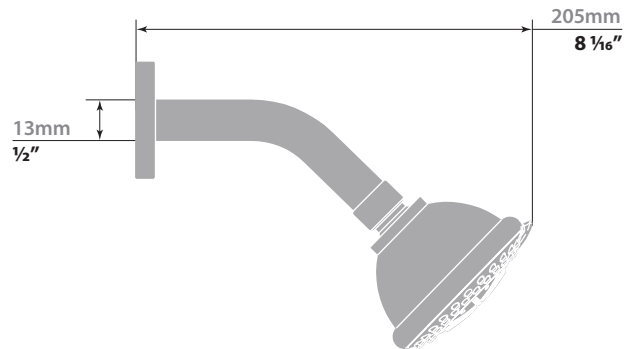
- Chrome (CC)

#### Codes / Standards

- Uniform Plumbing Code (UPC®)
- ASME A112.18.1/CSA B125.1

#### Warranty

- Limited lifetime warranty  
(see full warranty for details)



### TUB SPOUT WITH DIVERTER

TS.42.07

#### Description

- Brass tub spout with 1/2" slip-on connection

#### Available Finishes

- Chrome (CC)
- Brushed Nickel (BN)
- Matte Black (MB)

(Model Pictured: Chrome)

#### Codes / Standards

- Uniform Plumbing Code (UPC®)
- ASME A112.18.1/CSA B125.1
- ASSE 1016

#### Warranty

- Limited lifetime warranty  
(see full warranty for details)

